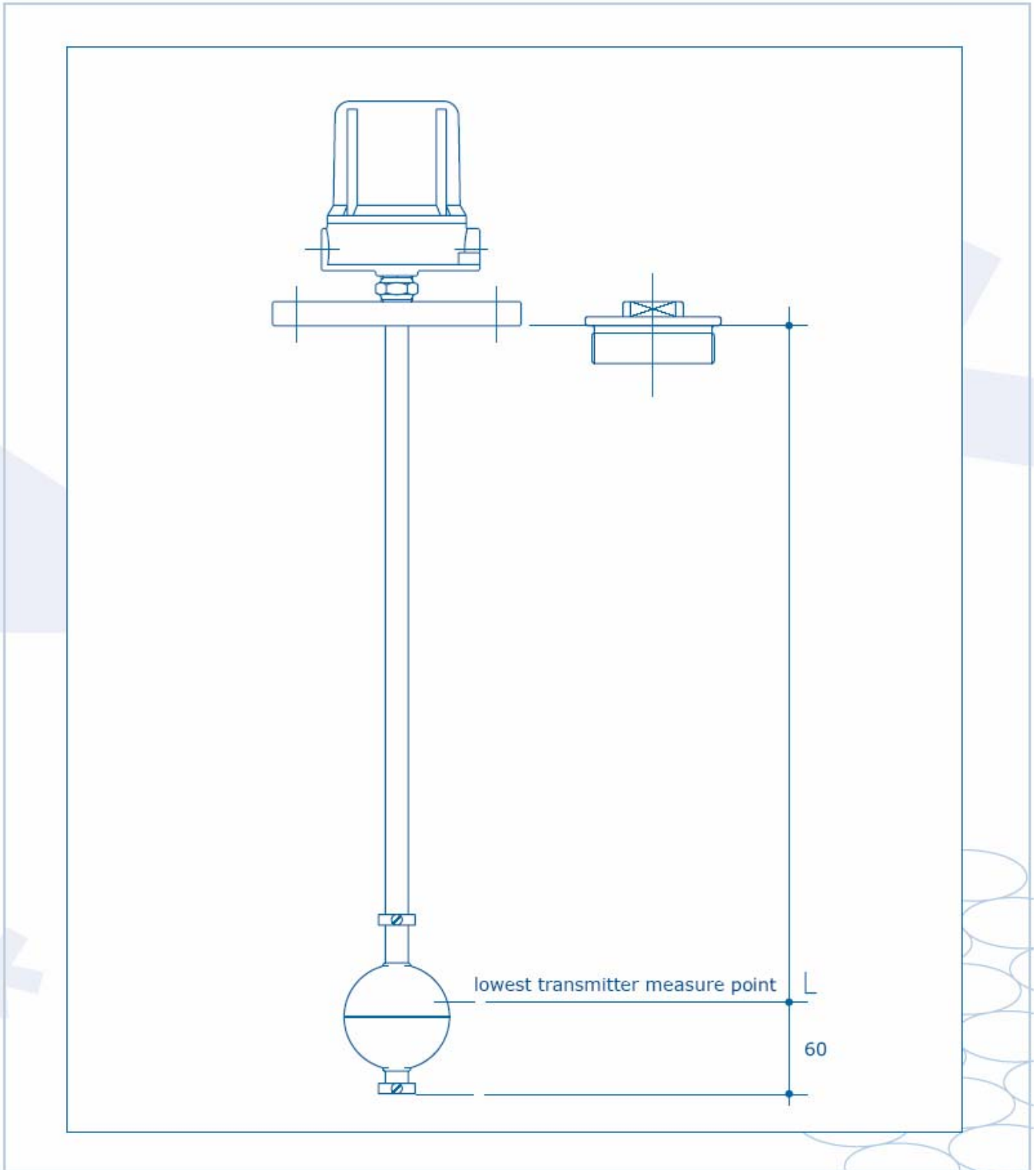
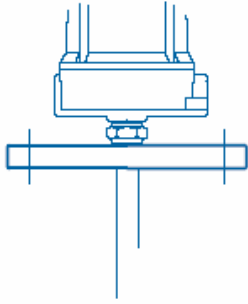


Magnetic level transmitter
Vertical mount
Wetted parts entirely AISI
Flange or thread connection
2-wire 4-20mA transmitter output



FLANGE CONNECTION

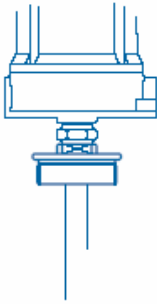


U	UNI				
125	<u>51</u>	<u>50</u>	<u>49</u>	<u>52</u>	<u>53</u>
100	<u>43</u>	<u>44</u>	<u>45</u>	<u>46</u>	<u>47</u>
80	<u>37</u>	<u>38</u>	<u>39</u>	<u>40</u>	<u>41</u>
65	<u>31</u>	<u>32</u>	<u>33</u>	<u>34</u>	<u>35</u>
50	<u>25</u>	<u>26</u>	<u>27</u>	<u>28</u>	<u>29</u>
DN / PN	6	10	16	40	64

A	ANSI		
5	<u>37</u>	<u>38</u>	<u>39</u>
4	<u>25</u>	<u>26</u>	<u>27</u>
3	<u>21</u>	<u>22</u>	<u>23</u>
2½	<u>17</u>	<u>18</u>	<u>19</u>
2	<u>29</u>	<u>30</u>	<u>31</u>
DN / PN	150	300	600

Other sizes upon request

THREAD CONNECTION



F	Gas - M
1	<u>07</u>
1½	<u>08</u>
2	<u>23</u>
2½	<u>29</u>
3	<u>26</u>
4	<u>30</u>

F	Gas k-M
1	<u>03</u>
1½	<u>04</u>
2	<u>22</u>
2½	<u>31</u>
3	<u>32</u>
4	<u>33</u>

F	NPT-M
1	<u>17</u>
1½	<u>18</u>
2	<u>29</u>
2½	<u>34</u>
3	<u>35</u>
4	<u>36</u>

Other sizes upon request

FLANGE AND THREAD MATERIAL

<u>1</u> CARBON STEEL	<u>4</u> AISI 304	<u>3</u> AISI 316 L
-----------------------	-------------------	---------------------

FLOAT SIZES

<u>B</u> Ø 44	<u>E</u> Ø 55	<u>J</u> Ø 72	<u>M</u> Ø 80	<u>N</u> Ø 90	<u>O</u> Ø 100
---------------	---------------	---------------	---------------	---------------	----------------

Other diameters upon request, depending on applicable design pressure and fluid specific gravity

FLOAT MATERIAL

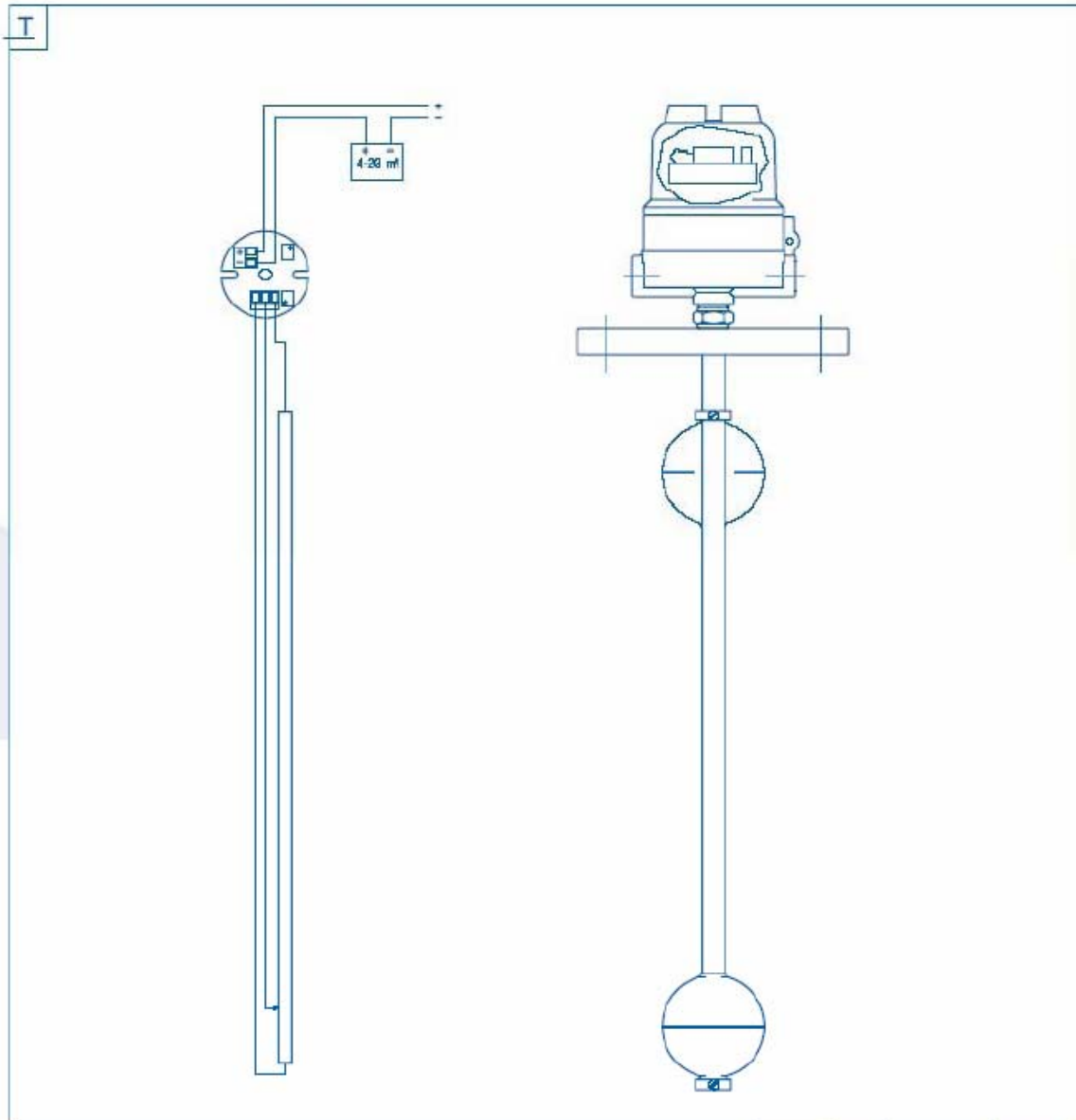
<u>9</u> AISI 304	<u>1</u> AISI 316 L	<u>3</u> MONEL	<u>4</u> HASTELLOY
-------------------	---------------------	----------------	--------------------

WORKING PARAMETERS

<u>P</u> Pressure < 100 bar	<u>T</u> Temperature - 110 + 200 °C	<u>S</u> Fluid specific gravity > 0,6 kg/litre
--------------------------------	--	---

Equipment Electronic

Transmitter 4÷20 mA



Transmitter with tube insertion and float.

Resolution transmitter: 5, 10, 20 mm

Complete with converter **4÷20 mA** applicable to customer tube insertion length.

Different Zone area's are available IP65, Exi - intrinsic safe, Exd explosionproof.

IResistance loop: 1k ÷ 100k Ohm

Output (readout) in: mA

Applicable to the following models TOR A, B, PC, PP, PVDF, CD

Housings

Following versions available:

1A

WEATHERPROOF
Degree of protection
IP 67
Material
Aluminium+Rilsan

3A

E Ex-d IIC T6
Degree of protection
IP 67
Material
Aluminium+Rilsan

1B

WEATHERPROOF
Degree of protection
IP 67
Material
AISI 316L

3B

E Ex-d IIC T6
Degree of protection
IP 67
Material
AISI 316L

IP 68 housings are available upon request.

Explosion proof housings are **ATEX** certified according to 94/9/EC Directive

ELECTRIC CONNECTION:

Up to two cable entries. Other connections type available upon request.

1	G 1/2 F	2	Gk 1/2 F	3	1/2 NPT F	C	M 20x1,5
----------	----------------	----------	-----------------	----------	------------------	----------	-----------------