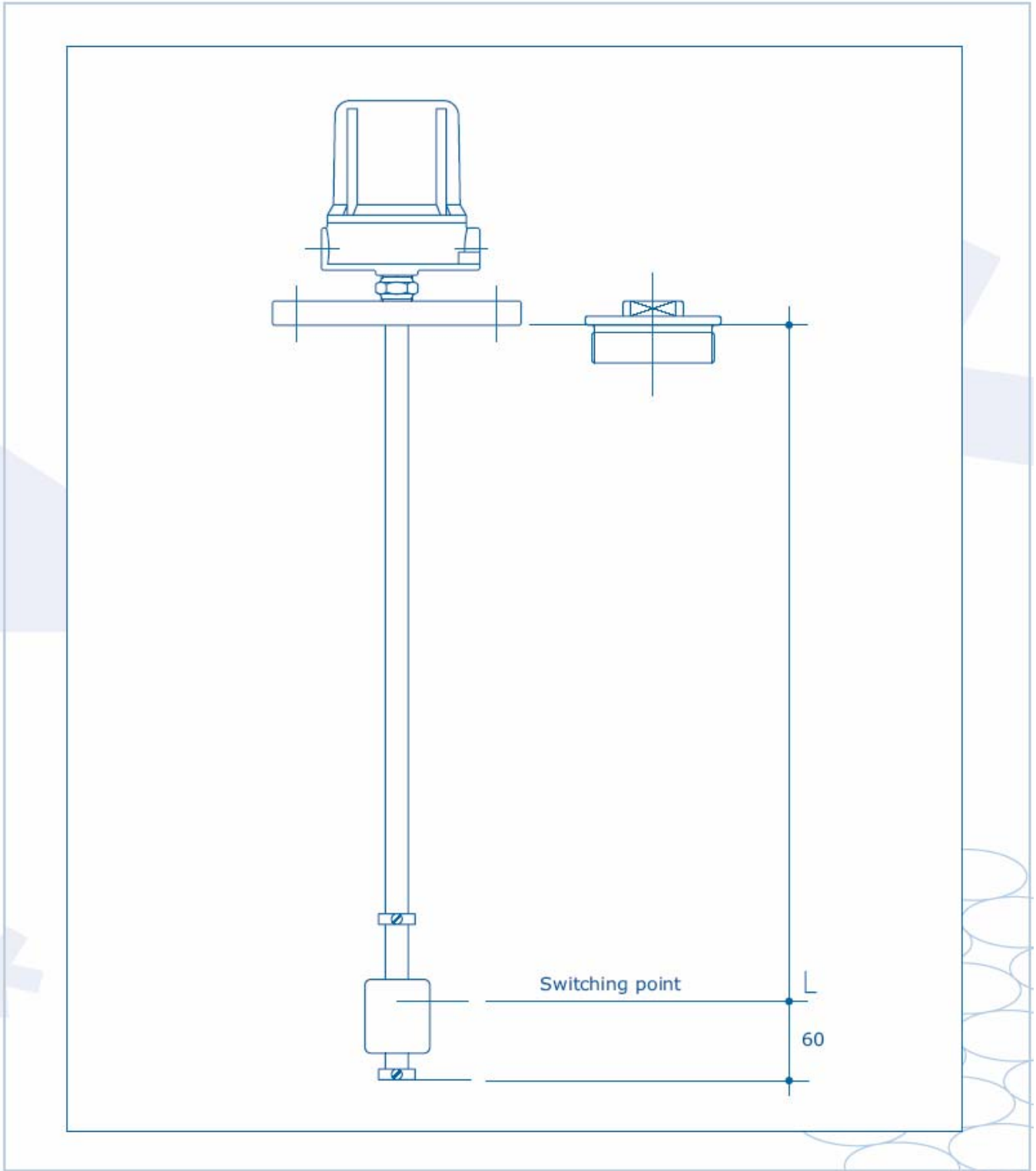
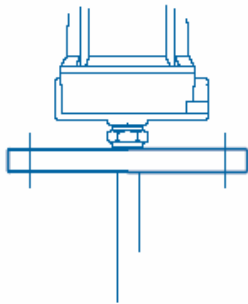


Magnetic level switch
Vertical mount
Wetted parts AISI, Float BUNA N
Flange or thread connection
Up to six switching points



FLANGE CONNECTION

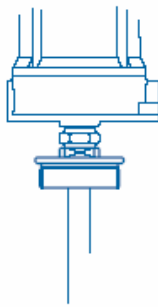


U	UNI		
125	_51	_50	_49
100	_43	_44	_45
80	_37	_38	_39
65	_31	_32	_33
50	_25	_26	_27
DN PN	6	10	16

A	ANSI	
5	_37	
4	_25	
3	_21	
2½	_17	
2	_29	
DN PN	150	

Other sizes upon request

THREAD CONNECTION



F	Gas - M
1	_07
1½	_08
2	_23
2½	_29
3	_26
4	_30

F	Gas k-M
1	_03
1½	_04
2	_22
2½	_31
3	_32
4	_33

F	NPT-M
1	_17
1½	_18
2	_29
2½	_34
3	_35
4	_36

Other sizes upon request

CONNECTION MATERIAL

<u>1</u>	CARBON STEEL	<u>4</u>	AISI 304	<u>3</u>	AISI 316 L
----------	--------------	----------	----------	----------	------------

FLOAT SIZE

<u>A</u>	Ø 30	<u>B</u>	Ø 44	<u>F</u>	Ø 58
Other diameters upon request, depending on applicable design pressure and fluid specific gravity					

FLOAT MATERIAL

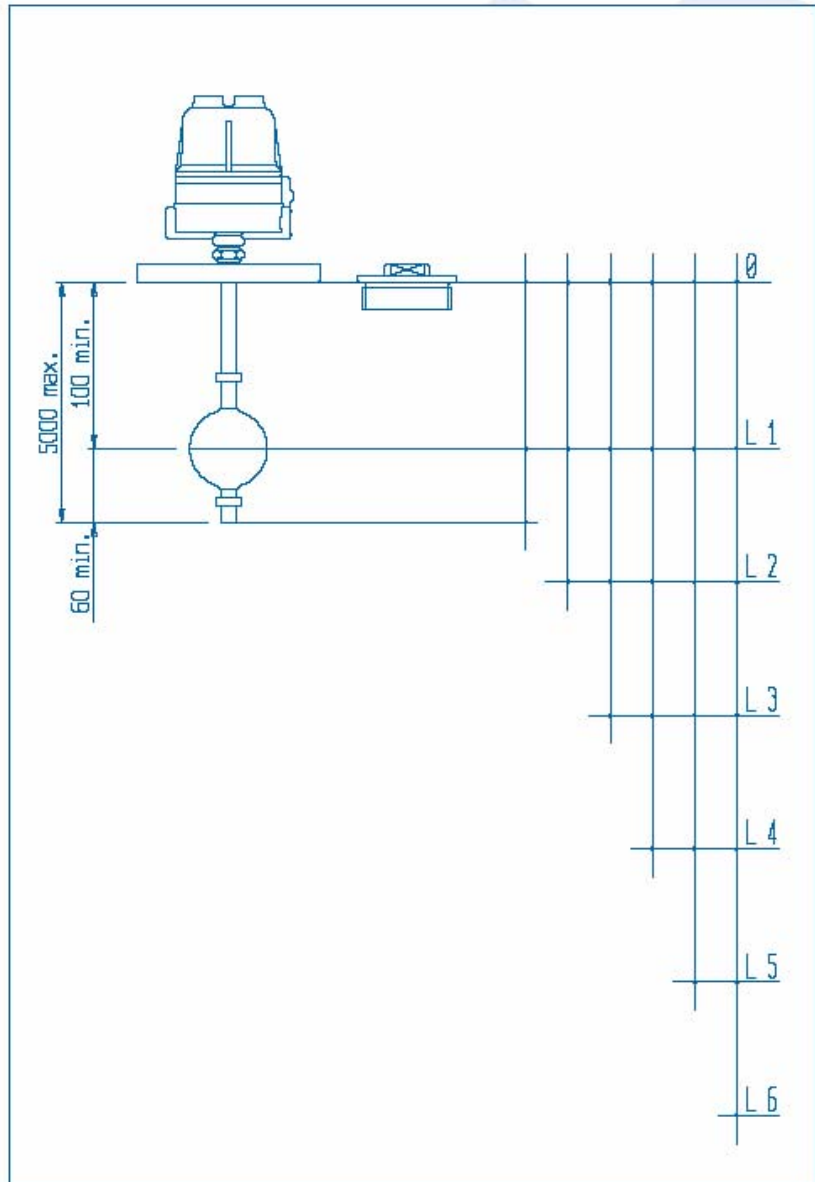
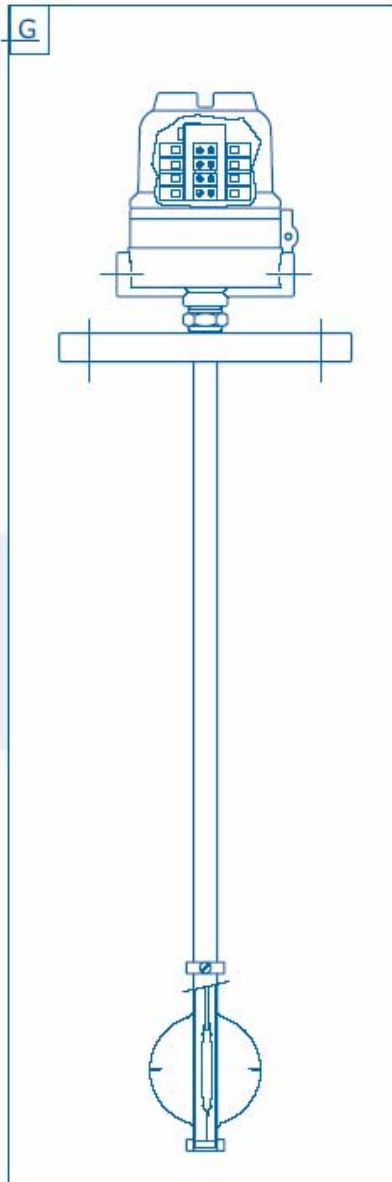
<u>8</u>	BUNA N
----------	--------

WORKING PARAMETERS

<u>P</u>	Pressure < 16 bar	<u>T</u>	Temperature - 20 + 80 °C	<u>S</u>	Fluid specific gravity > 0,6 kg/liter
----------	----------------------	----------	-----------------------------	----------	--

Electric Equipment

Reed Switch Contact



One or more reed switch contacts are fitted inside a vertical sealed tube and switching points are preset as requested by customer.

Reed switch contacts are available: **SPST** - **SPDT** - **DPDT** (two SPDT simultaneous)

60 VA 30 W 1 A max. 220 V ac/dc

Switching points are always field adjustable.

To set switching points see upper diagram, starting from level 0.

Housings

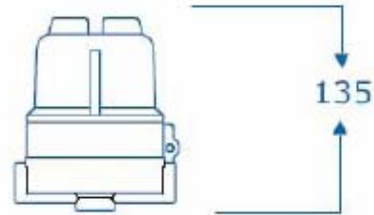
Following versions available:

1A



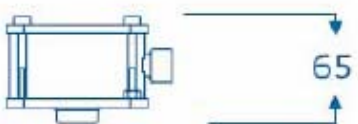
WEATHERPROOF
Degree of protection
IP 67
Material
Aluminium+Rilsan

3A



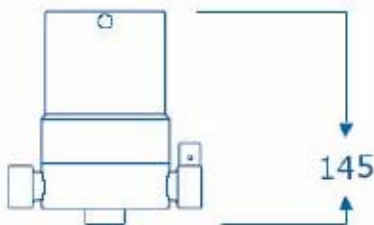
E Ex-d IIC T6
Degree of protection
IP 67
Material
Aluminium+Rilsan

1B



WEATHERPROOF
Degree of protection
IP 67
Material
AISI 316L

3B



E Ex-d IIC T6
Degree of protection
IP 67
Material
AISI 316L

IP 68 housings are available upon request.

Explosion proof housings are **ATEX** certified according to 94/9/EC Directive

ELECTRIC CONNECTION:

Up to two cable entries. Other connections type available upon request.

1	G 1/2 F	2	Gk 1/2 F	3	1/2 NPT F	C	M 20x1,5
----------	----------------	----------	-----------------	----------	------------------	----------	-----------------