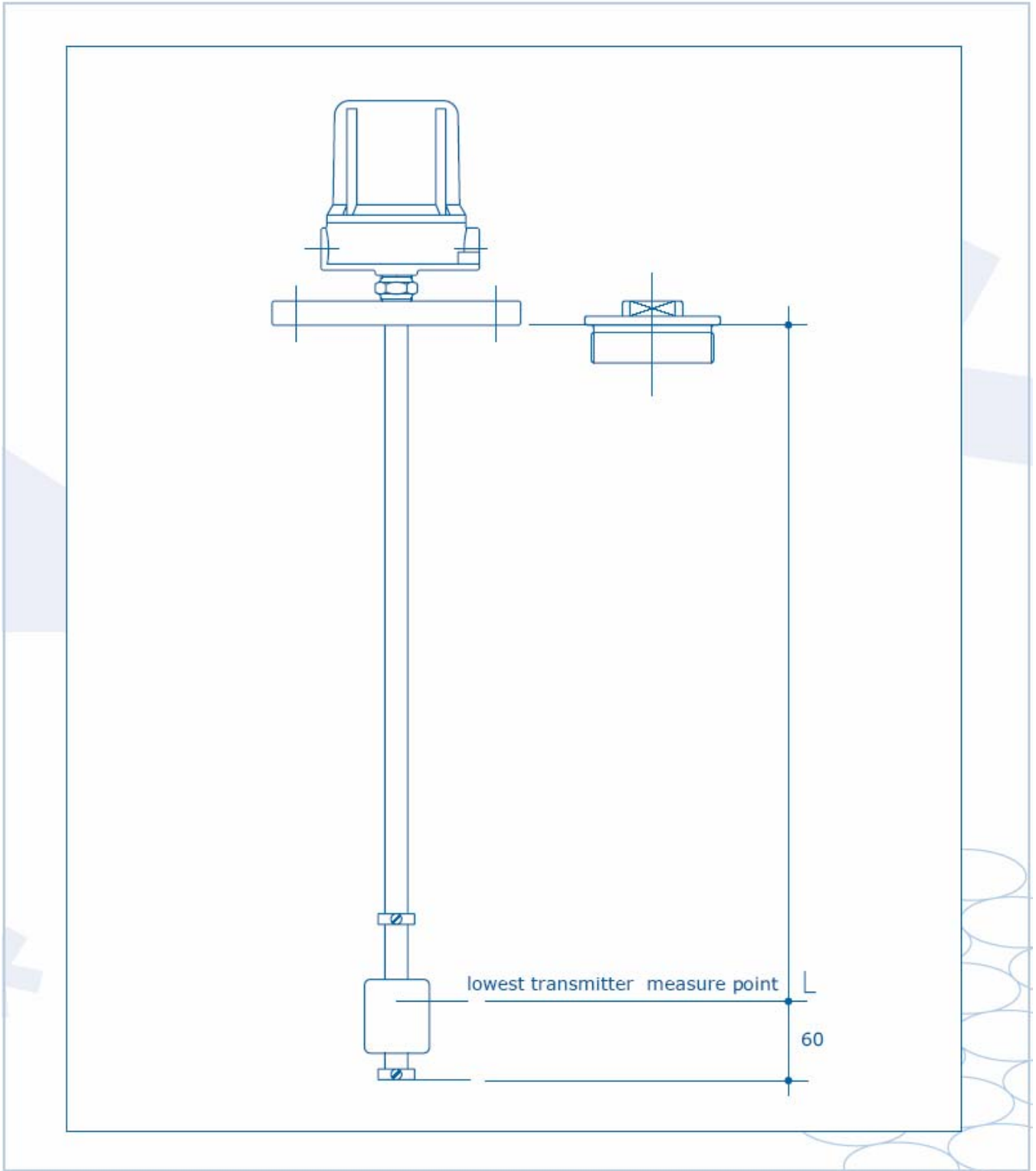
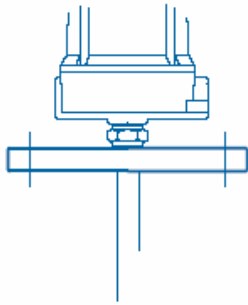


Magnetic level transmitter
Vertical mount
Wetted parts AISI, Float BUNA N
Flange or thread connection
2-wire 4-20mA transmitter output



FLANGE CONNECTION

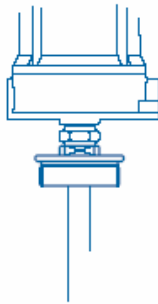


U	UNI		
125	51	50	49
100	43	44	45
80	37	38	39
65	31	32	33
50	25	26	27
DN / PN	6	10	16

A	ANSI	
5	37	
4	25	
3	21	
2½	17	
2	29	
DN / PN	150	

Other sizes upon request

THREAD CONNECTION



F	Gas - M
1	07
1½	08
2	23
2½	29
3	26
4	30

F	Gas k-M
1	03
1½	04
2	22
2½	31
3	32
4	33

F	NPT-M
1	17
1½	18
2	29
2½	34
3	35
4	36

Other sizes upon request

CONNECTION MATERIAL

<u>1</u>	CARBON STEEL	<u>4</u>	AISI 304	<u>3</u>	AISI 316 L
----------	--------------	----------	----------	----------	------------

FLOAT SIZE

<u>A</u>	Ø 30	<u>B</u>	Ø 44	<u>F</u>	Ø 58
Other diameters upon request, depending on applicable design pressure and fluid specific gravity					

FLOAT MATERIAL

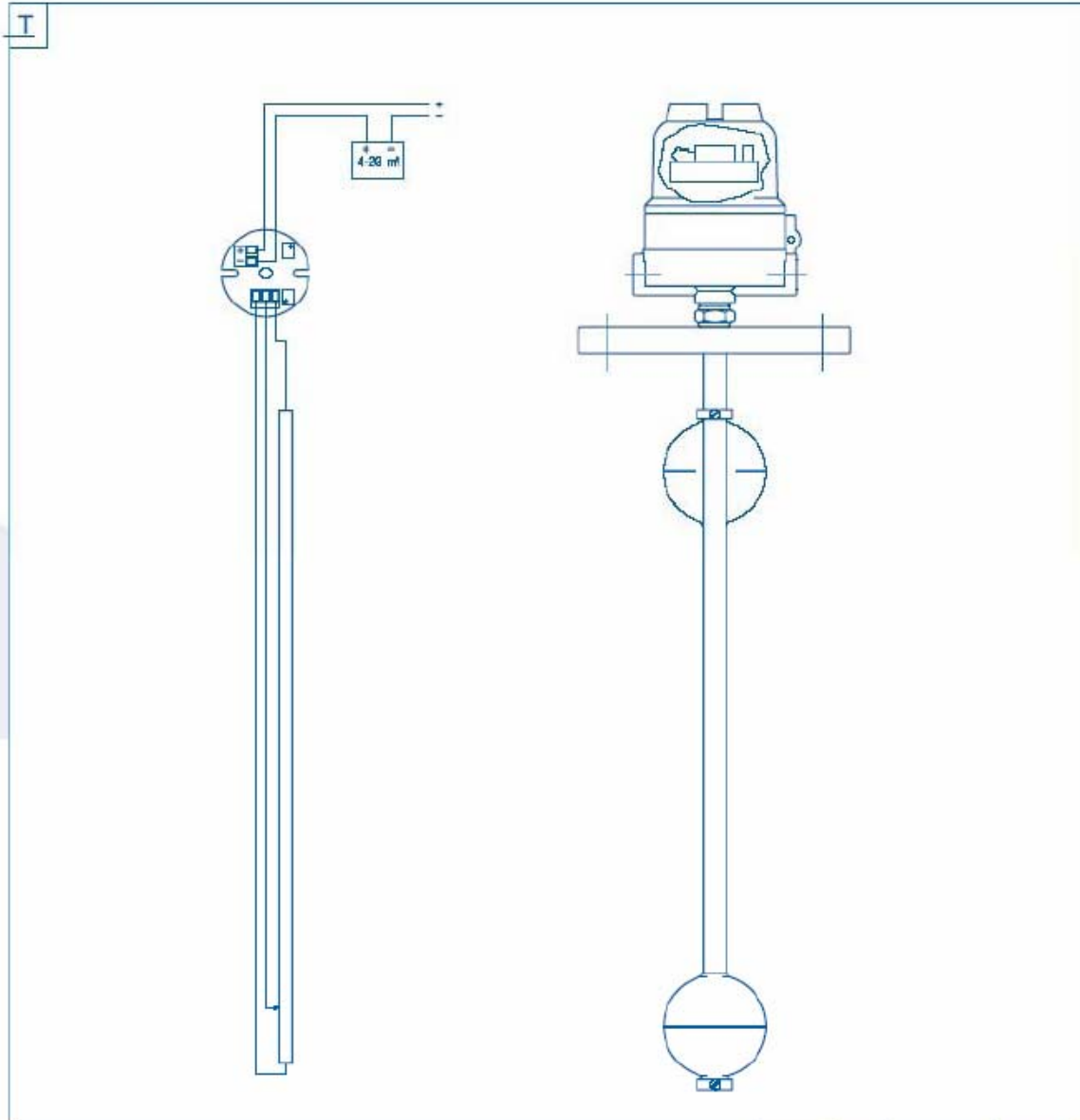
<u>8</u>	BUNA N
----------	--------

WORKING PARAMETERS

<u>P</u>	Pressure < 16 bar	<u>T</u>	Temperature - 20 + 80 °C	<u>S</u>	Fluid specific gravity > 0,6 kg/liter
----------	----------------------	----------	-----------------------------	----------	--

Equipment Electronic

Transmitter 4÷20 mA



Transmitter with tube insertion and float.

Resolution transmitter: 5, 10, 20 mm

Complete with converter **4÷20 mA** applicable to customer tube insertion length.

Different Zone area's are available IP65, Exi - intrinsic safe, Exd explosionproof.

IResistance loop: 1k ÷ 100k Ohm

Output (readout) in: mA

Applicable to the following models TOR A, B, PC, PP, PVDF, CD

Housings

Following versions available:

1A

WEATHERPROOF
Degree of protection
IP 67
Material
Aluminium+Rilsan

3A

E Ex-d IIC T6
Degree of protection
IP 67
Material
Aluminium+Rilsan

1B

WEATHERPROOF
Degree of protection
IP 67
Material
AISI 316L

3B

E Ex-d IIC T6
Degree of protection
IP 67
Material
AISI 316L

IP 68 housings are available upon request.

Explosion proof housings are **ATEX** certified according to 94/9/EC Directive

ELECTRIC CONNECTION:
Up to two cable entries. Other connections type available upon request.

<u>1</u>	G 1/2 F	<u>2</u>	Gk 1/2 F	<u>3</u>	1/2 NPT F	<u>C</u>	M 20x1,5
----------	----------------	----------	-----------------	----------	------------------	----------	-----------------