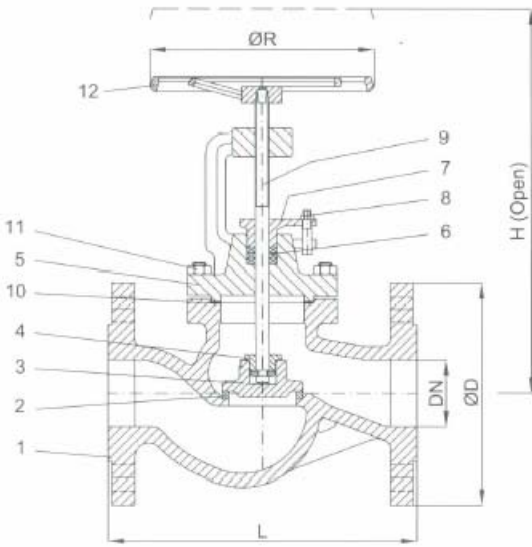
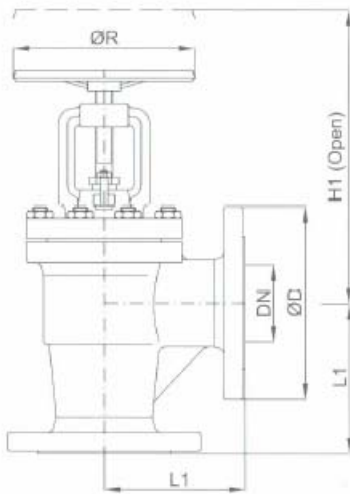


Figur 1.003
Figur 2.003



Figur 1.003



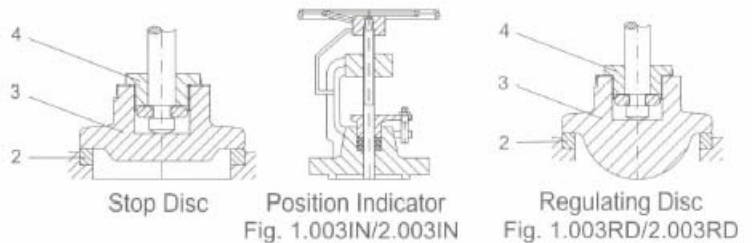
Figur 2.003

- Flanged ends acc.to DIN PN 10/16
- Face to face acc.to DIN 3202 - F1
- Nominal Pressure :
 - DN 15 - DN 80 = 25 bar
 - DN 100 - DN 175 = 16 bar
 - DN 200 - DN 300 = 10 bar
 - DN 350 - DN 400 = 6 bar
 - DN 500 - DN 600 = 4 bar

- Materials :
 - 1.003/A
 - 2.003/A

NO	Part Name	GS-C 25/Rg5
1	Body	GS-C 25
2	Seat	G-CuSn5ZnPb
3	Disc (≤80)	G-CuSn5ZnPb
	Disc (≥100)	GS-C 25
	Disc Surface	G-CuSn5ZnPb
4	Disc Nut	G-CuSn5ZnPb
5	Bonnet	GS-C 25
6	Packing	Graphite
7	Gland	GS-C 25
8	TStud,Nut	8.8
9	Stem	CuZn35Ni
10	Gasket	Asperit
11	Stud,Nut	8.8
12	Handwheel	GG 25

- Application :
 - Seawater, oil, fresh water and saturated steam up to 180°C



- Configuration with regulating disc and position indicator :
 - Fig : 1.003RD-IN / 2.003RD-IN

PN	DN	15	20	25	32	40	50	65	80	100	125	150	175	200	250	300	350	400	500	600
	L	130	150	160	180	200	230	290	310	350	400	480	550	600	730	850	980	1100	1250	1450
	L1	90	95	100	105	115	125	145	155	175	200	225	250	275	325	375	425	475	525	550
10	ØD	95	105	115	140	150	165	185	200	220	250	285	315	340	395	445	505	565	670	780
16	ØD	95	105	115	140	150	165	185	200	220	250	285	315	340	405	460	520	580	715	840
	H (Open)	170	170	176	176	230	240	258	315	356	454	516	598	598	830	910	985	1085	1250	-
	H1 (Open)	160	160	166	170	212	223	240	290	320	410	450	512	512	705	785	885	954	1100	1355
	ØR	120	120	140	140	160	160	180	200	220	250	300	400	400	400	520	520	520	640	640
KG 1.003		4.5	5.2	5.5	7.5	11.2	13.6	18.4	27.5	37	63	105	121	152	238	316	485	587	1200	-
KG 2.003		4.5	5.2	6	8	11	12.6	16.6	27	37	51	68	105	117	202	277	413	435	850	1035