

THE ELECTRIC PRESSURE CONTROLLERS ARE DESIGNED FOR TWO-TERM PRESSURE CONTROL OF STEAM, WATER, OIL AND AIR. THE CONTROLLERS MAINTAIN THE SETPOINT PRESSURE VALUE IN THE INTERVAL DETERMINED BY THE SET DIFFERENTIAL PRESSURE. MOREOVER, THE UNITS CAN BE APPLIED AS SIGNALLING ELEMENTS OF PRESSURE EXCEEDING OR PRESSURE DROP IN VARIOUS DEVICES AND PLANTS.

TECHNICAL DATA

Parameters	ERP-02-00	ERP-02-01	ERP-02-02	ERP-02-03
Pressure control range	0.03...0.15 MPa	0.1...1.3 MPa	0.3...1.7 MPa	0.4...3.2 MPa
Differential pressure	0.02...0.04 MPa	0.1...0.35 MPa	0.2...0.5 MPa	0.25...0.8 MPa
Static pressure of the medium	0.2 MPa	2.5 MPa	2.5 MPa	4.5 MPa
Repeatability	±2%			
Permissible temperature of the medium	120°C			
Ambient temperature	-20°C...+80°C			
Casing protection dergee	IP 55			
Mass	0.8 kg			

ELECTRIC PARAMETERS OF MICROSWITCH:

Rated voltage AC 400V, 50Hz lub DC 220V=

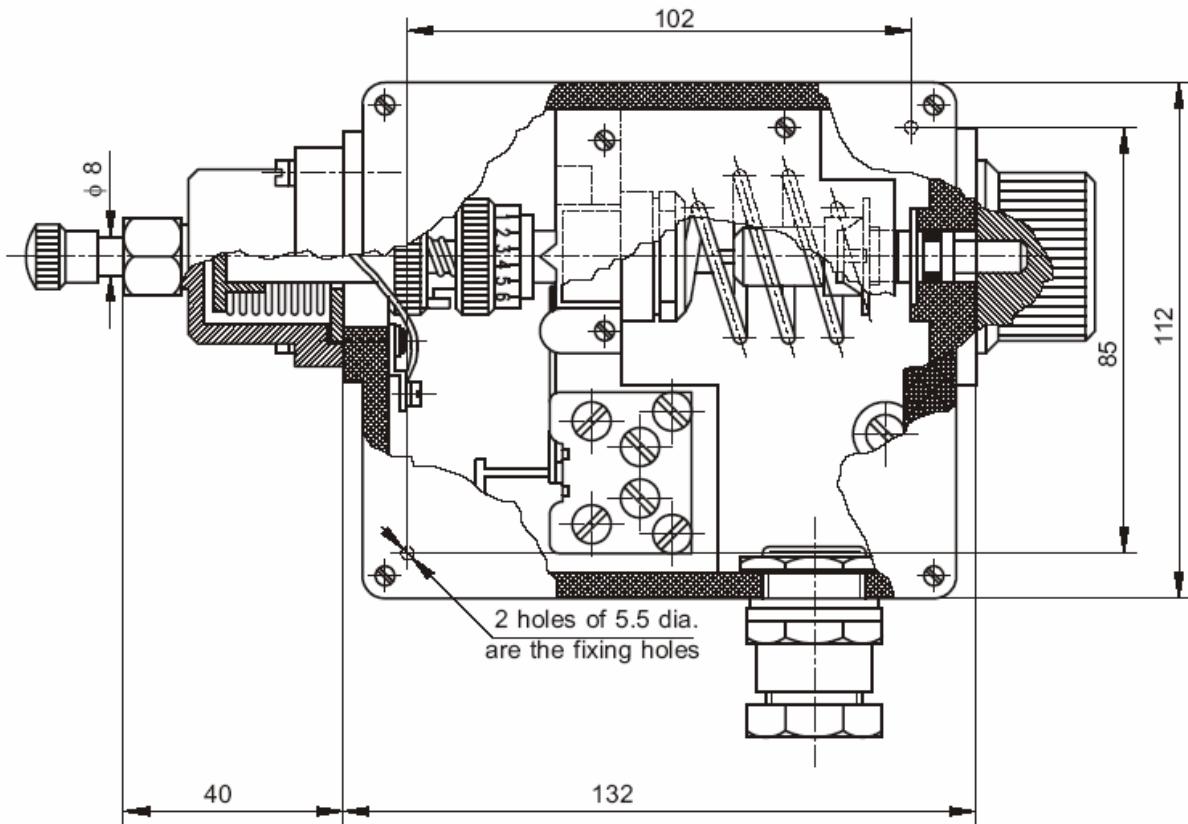
Minimal voltage and switching current 10V; 20mA

SWITCHING VOLTAGE [V]	DC VOLTAGE		AC VOLTAGE	
	Switching current [A]	Switching durability	Switching current [A]	Switching durability
48	4.0	0.06 x 10 ⁶	9.0	0.1 x 10 ⁶
110	1.0			
220	0.6			
400	X	X		

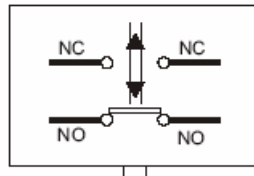
Cross sections of connecting wires - for single-core wires: 1...2.5 sq. mm

- for multile-core wires: 0.75...1.5 sq. mm

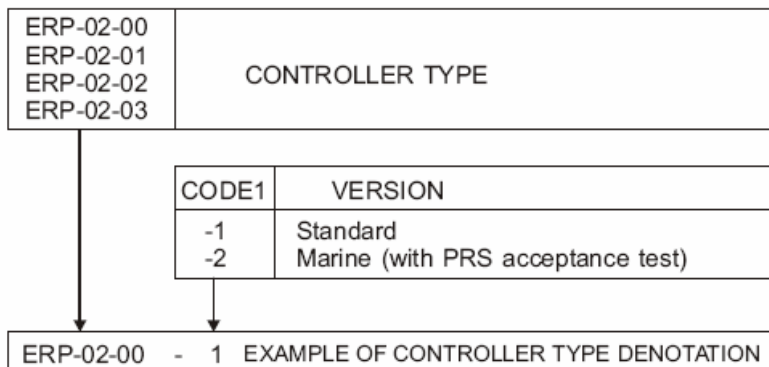
DIMENSIONED DRAWINGS



ELECTRIC CIRCUIT DIAGRAM



ORDERING



The right of introducing design changes in the product, without deteriorating of its operation parameters, is reserved.