

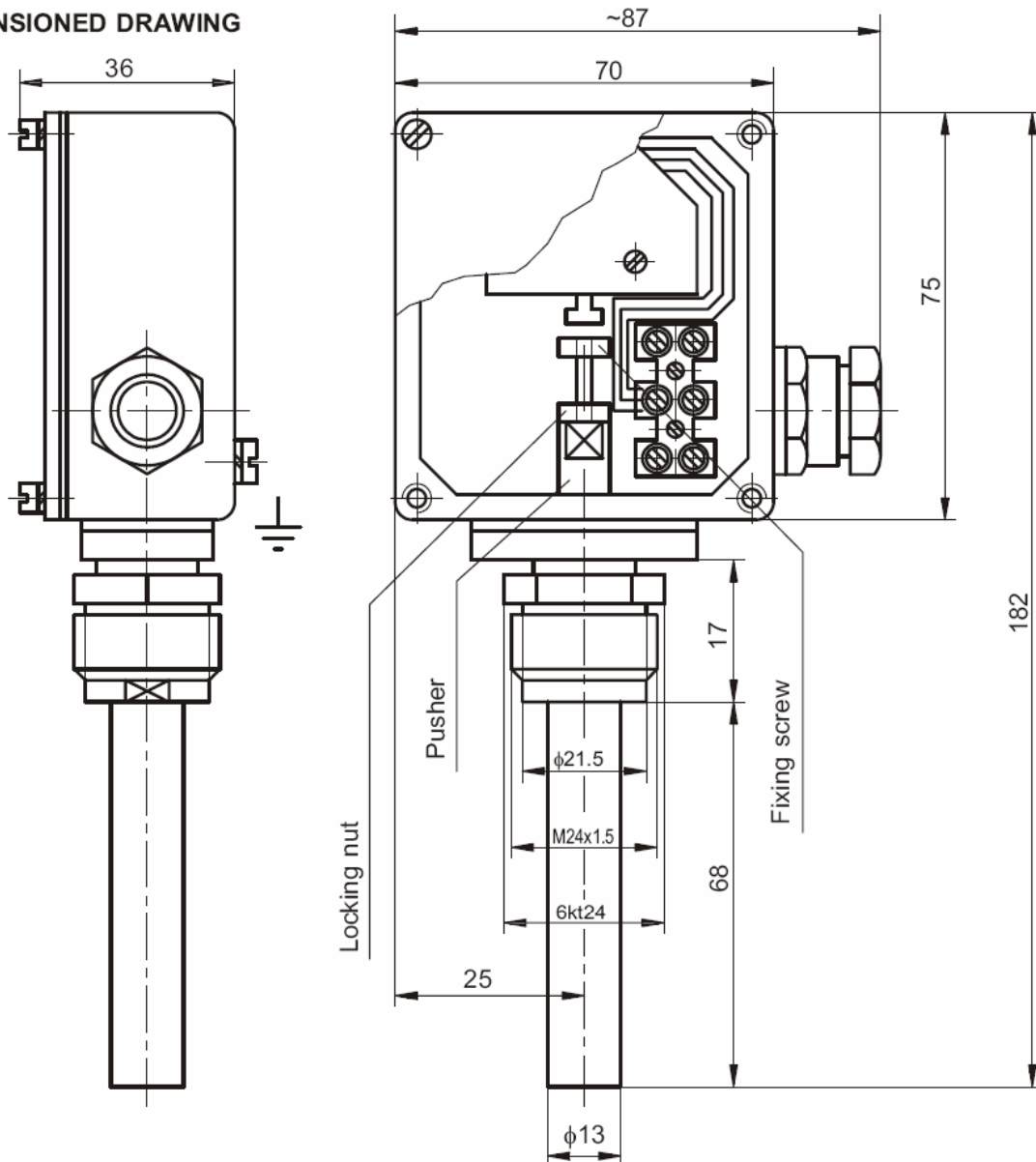
- efficiency
- flexibility
- reliability
- easy operation

THE ELECTRIC TEMPERATURE CONTROLLERS ARE DESIGNED FOR CONTROL IN SUCH SYSTEMS WHEREIN IT IS NECESSARY TO MAINTAIN STEADY TEMPERATURE BY MEANS OF CHANGE IN THE INFLOW CONDITIONS OF ENERGY MEDIUM, E.G. BY CONTROLLING THE SOLENOID VALVES, SWITCHING-ON OF HEATING ELEMENTS, FANS, ETC. THANKS TO RESISTANCE TO SHOCKS AND VIBRATIONS THEY CAN BE APPLIED IN THE TRACTION DIESEL ENGINES AND MARINE ENGINES. MOREOVER, THE UNITS CAN BE APPLIED AS SIGNALLING ELEMENTS OF TEMPERATURE EXCEEDING OR TEMPERATURE DROP IN VARIOUS INDUSTRIAL DEVICES AND PLANTS.

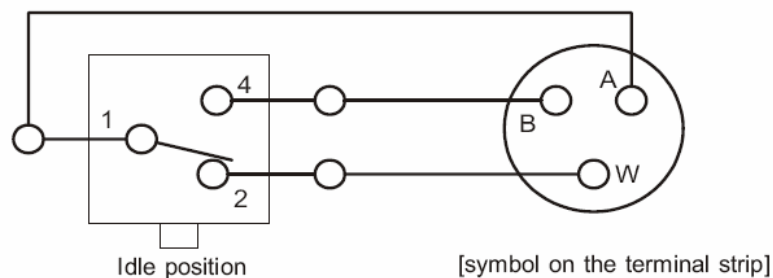
## TECHNICAL DATE

Parameters	ERT-01-00	ERT-01-01
Control range	30...70°C (303...343K)	70...110°C (343...383K)
Repeatability	±1.5°C	
Sensor diameter	13 mm	
Dead zone	≤ 4°C	
Sensor lenght	68 mm	
Time constant	30 s	
Fixing thread	M24 x 1.5	
Switching frequency	60 cycles/h	
Durability	10 <sup>6</sup> cycles	
Resistance to vibrations	0...70 Hz at 6 g	
Resistance to shocks	10 g	
Ambient temperature	-20°C...+80°C (253...353K)	
Switched current	2.5A/400V 50...60Hz	
Mass	~0.5kg	
Overheating temperature from the setpoint	20°C	
Permissible pressure of the medium	6.3 Mpa	

## DIMENSIONED DRAWING



## ELECTRIC CIRCUIT DIAGRAM



## ORDERING

One should give the in the order: controller full name and type, e.g.:  
 Electric two-term temperature controller type ERT-01-00 (52-56°C).

The right of introducing design changes in the product, without deteriorating of its operation parameters, is reserved.