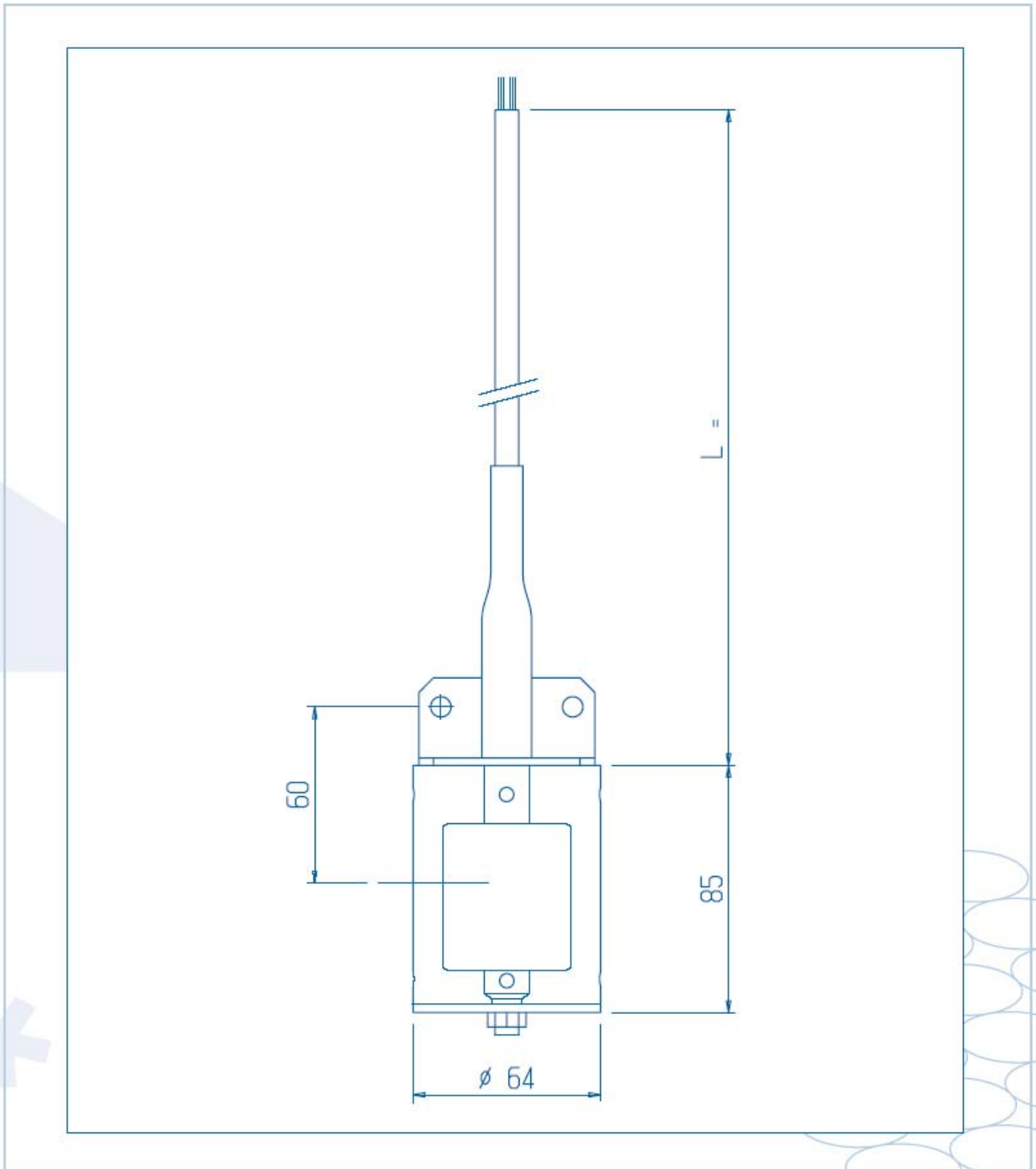


# Bilge Water Level Switches

Type **TOR S**

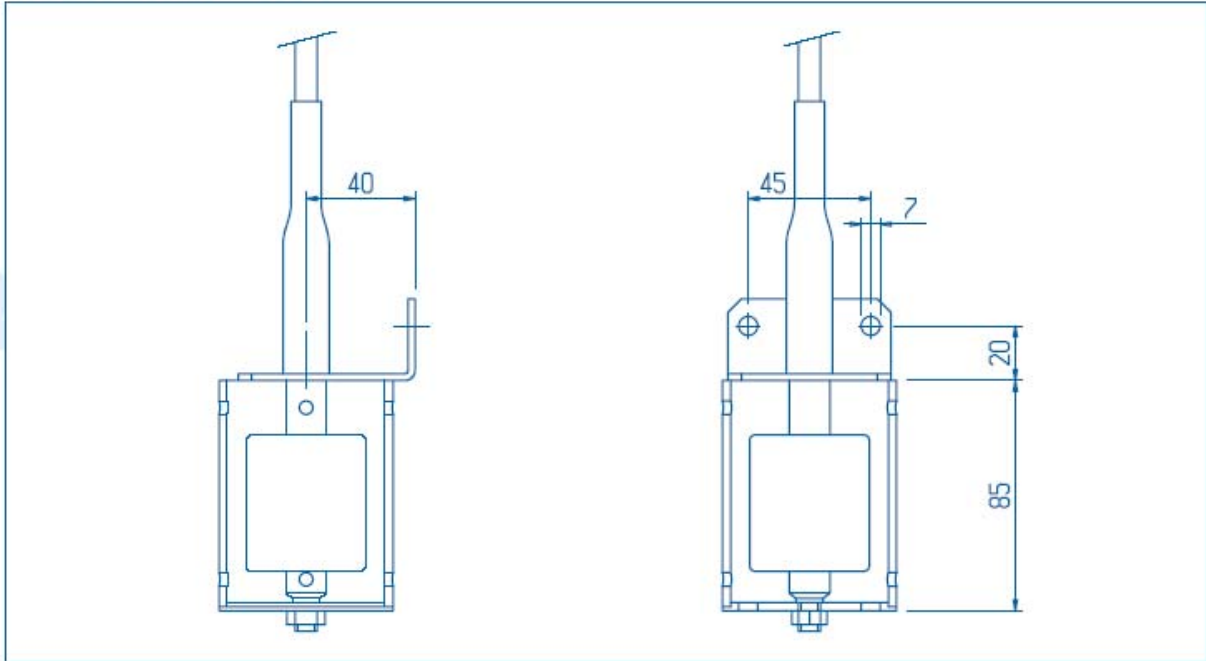
Magnetic level switch  
Suitable for bilge  
Bracket connection  
One switch point



# Bilge Water Level Switches

Type **TOR S**

## BRACKET CONNECTION



## BRACKET MATERIAL

4 AISI 304

## FLOAT SIZE

B Ø 44

## FLOAT MATERIAL

8 BUNA N      1 AISI 316 L

Reed switch contact available  
**S P D T** or **S P S T**

## PROTECTION COVER MATERIALS

6B PERSPEX      6C AISI 316 L

## WORKING PARAMETERS

<u>P</u> Pressure < 16 bar	<u>T</u> Temperature - 20 + 80 °C	<u>S</u> Fluid specific gravity > 0,6 kg/litre
-------------------------------	--------------------------------------	---