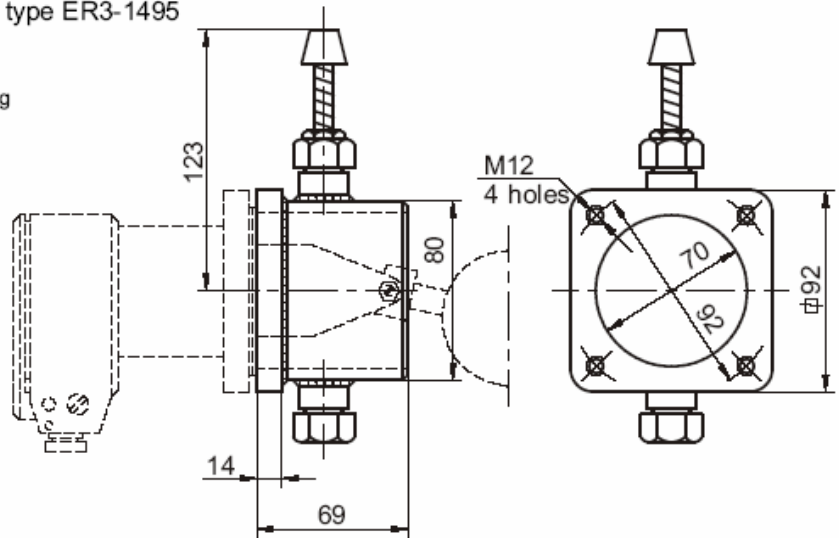


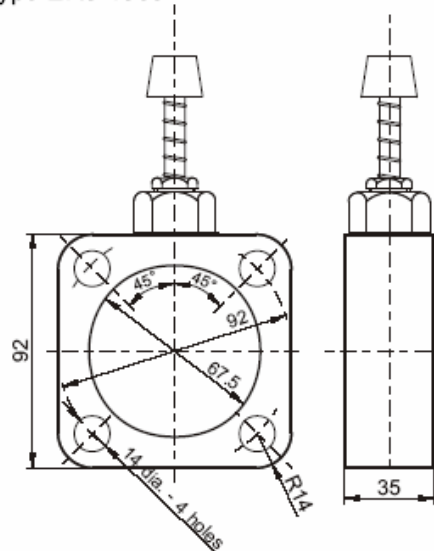
TESTING EQUIPMENT

Testing equipment for permanent assembling, type ER3-1495

Testing equipment is designed for mechanical testing of electric casings / housings, without disassembling controller off the tank.

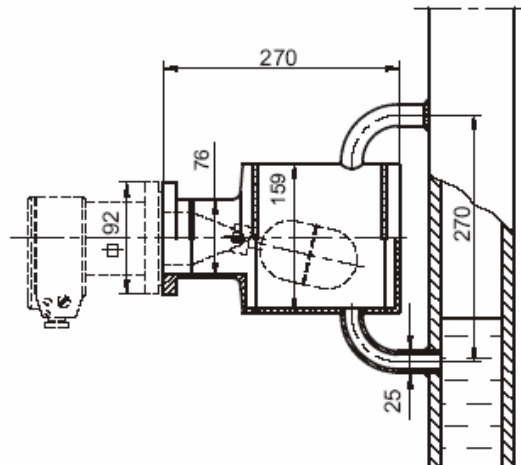


Testing equipment for separable assembling, type ER3-1560



ASSEMBLY CHAMBER

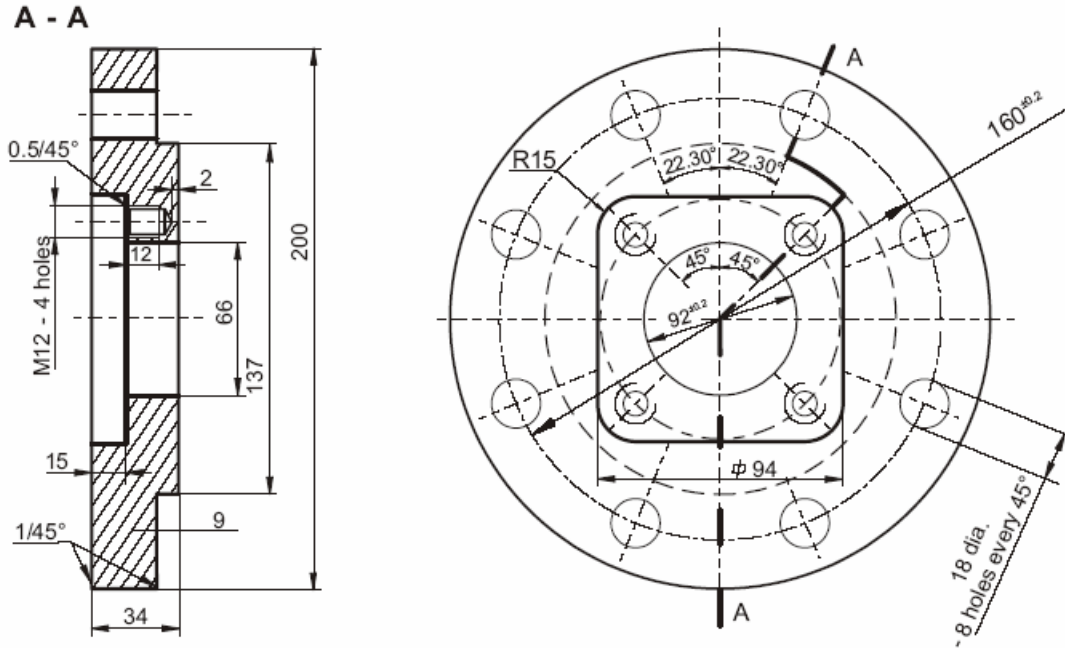
The assembly chamber ER3-1569 is designed for mounting of the float-type controllers on pipelines and small-sized tanks.



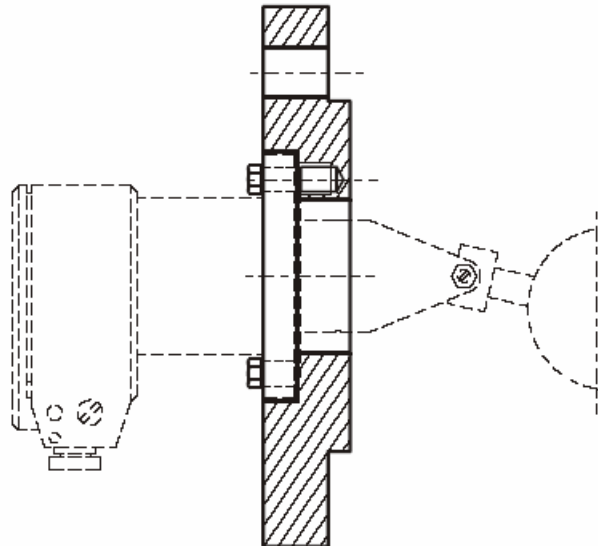
MOUNTING FLANGE DN 80

The flange no. ER2-1587, acc. to PN-83/H-02651, can be used as flange reduction of 92 x 92 mm dimensions for controllers type ERH-...-04, ERH-...-06, ERH-...-07, ERH-...-16. The flange is made of steel 1H18N9T.

DIMENSIONED DRAWING OF FLANGE



CONNECTING OF FLANGE TO CONTROLLER



ORDERING

One should give full product name and equipment type symbol in his order, e.g. Testing equipment type ER3-1560

The right of introducing design changes in the product, without deteriorating of its operation parameters, is reserved.