

- efficiency
- flexibility
- reliability
- easy operation

THE LEVEL CONTROLLERS IN MARINE VERSION ARE DESIGNED FOR SIGNALLING OF LIQUID LIMIT LEVELS OR TWO-TERM LIQUID LEVEL CONTROL IN OPEN AND CLOSED PRESSURIZED TANKS, IN NON-EXPLOSIVE ATMOSPHERE. THE CONTROLLERS CAN OPERATE IN AGGRESSIVE LIQUIDS NOT REACTING ON 1H18N9T STEEL.

TECHNICAL DATA

Parameters	ERH-01-04	ERH-02-04	ERH-03-04	ERH-04-04
Measuring range	10; 20; 30mm	10; 20; 30mm	100...400mm 50...250mm	32...1,350mm
Repeatability	±15%	±15%	±15%; ±5%	±15%; ±2%
Mass	2 kg	2.2 kg	2.4 kg	3.3 kg
Static pressure of the medium	4 MPa			1.6 MPa
Permissible temperature of the medium	250°C	200°C	250°C	
Ambient temperature	-25°C...+70°C			
Casing protection degree	IP 56			
Minimum liquid density	0.6 x 10 ⁻³ kg/cm ³			

ELECTRIC PARAMETERS OF MICROSWITCH:

Rated voltage AC 400V, 50Hz; or 220V DC
 Minimal voltage and switching current 10V; 20mA

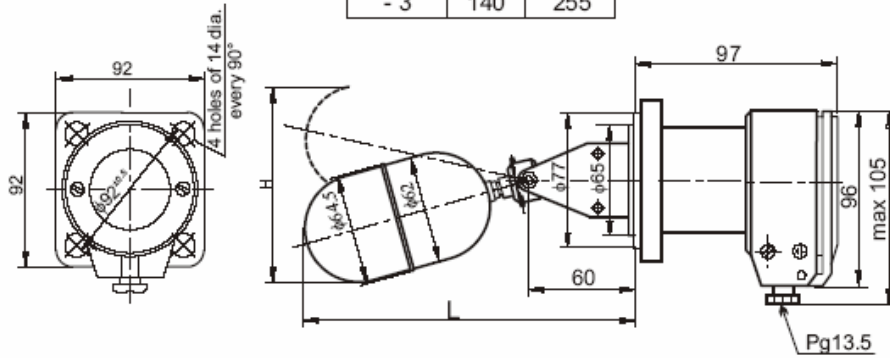
SWITCHING VOLTAGE [V]	DC VOLTAGE		AC VOLTAGE	
	Switching current [A]	Switching durability	Switching current [A]	Switching durability
48	4.0	0.06 x 10 ⁶	9.0	0.1 x 10 ⁶
110	1.0			
220	0.6			
400	X	X		

Cross sections of connecting wires - for single-core wires: 1...2.5 sq. mm
 - for multile-core wires: 0.75...1.5 sq. mm

DIMENSIONED DRAWINGS

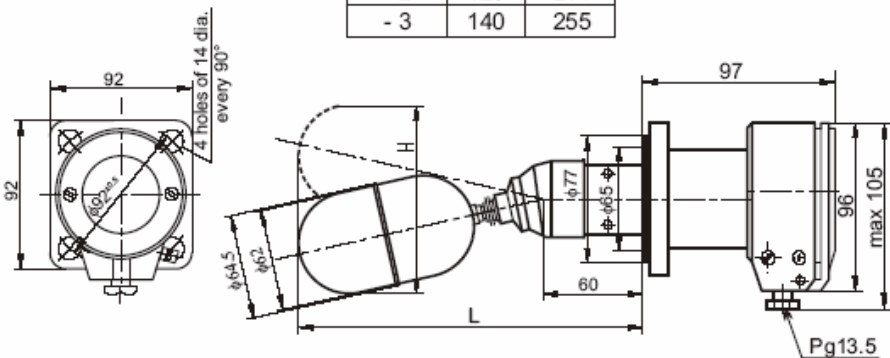
ERH-01-04

Symbol	Hmm	Lmm
- 1	115	190
- 2	120	214
- 3	140	255



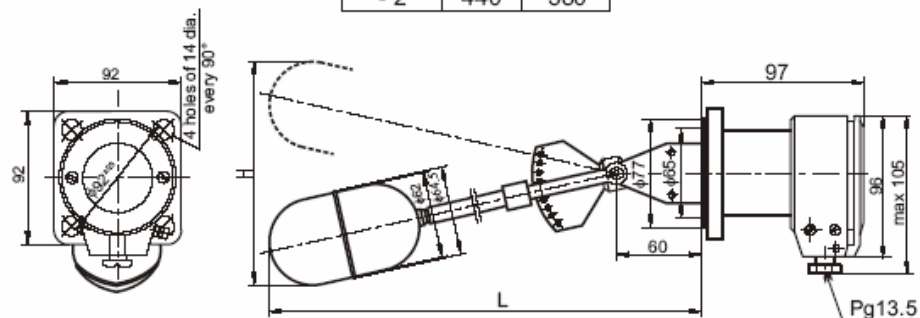
ERH-02-04

Symbol	Hmm	Lmm
- 1	115	190
- 2	120	214
- 3	140	255

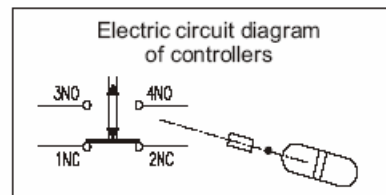
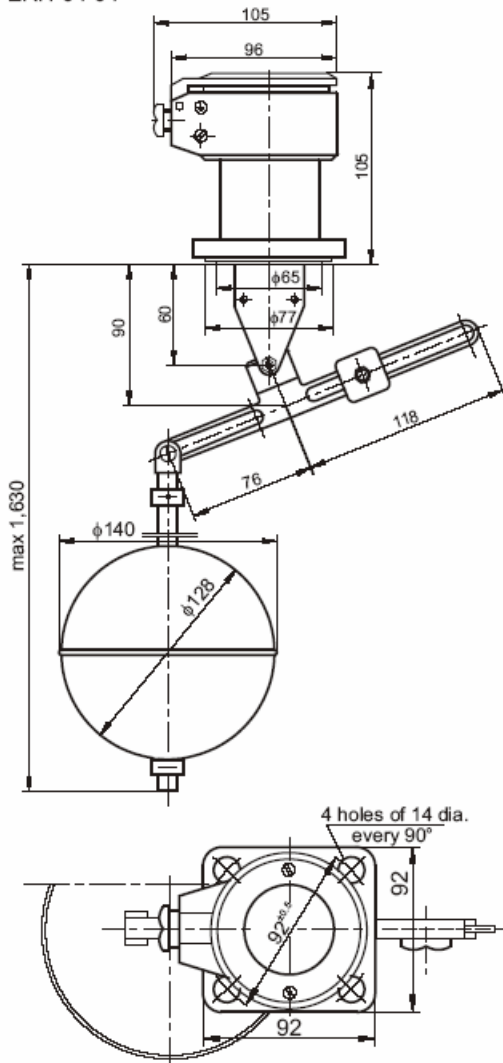


ERH-03-04

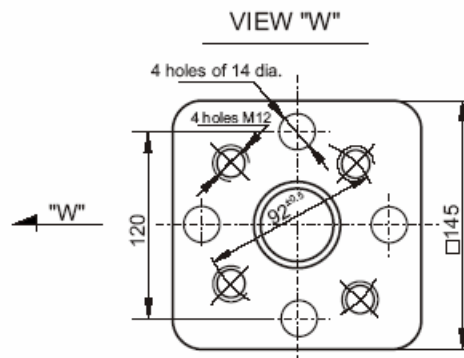
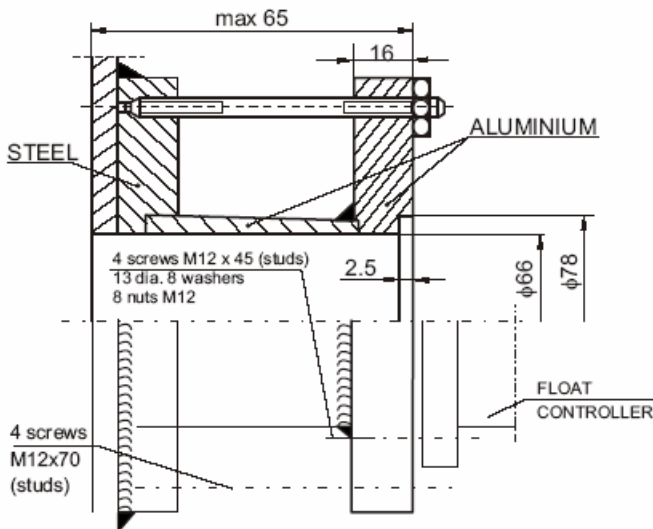
Symbol	Hmm	Lmm
- 1	600	503
- 2	440	380



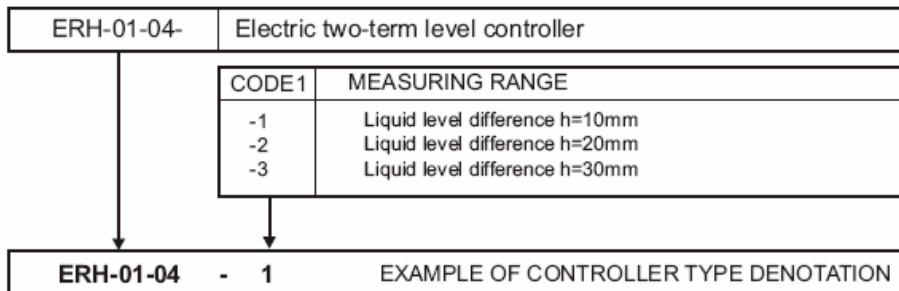
ERH-04-04



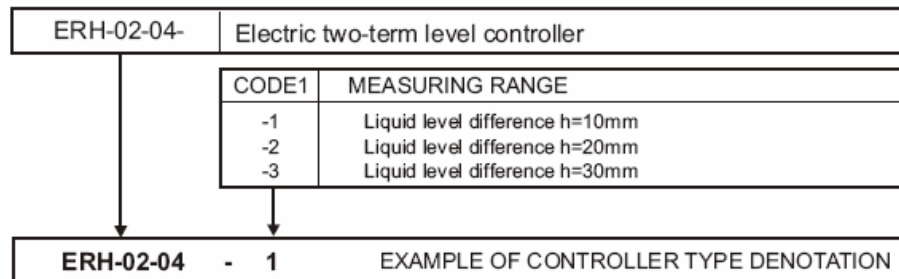
EXAMPLE OF CONNECTING STUB PIPE



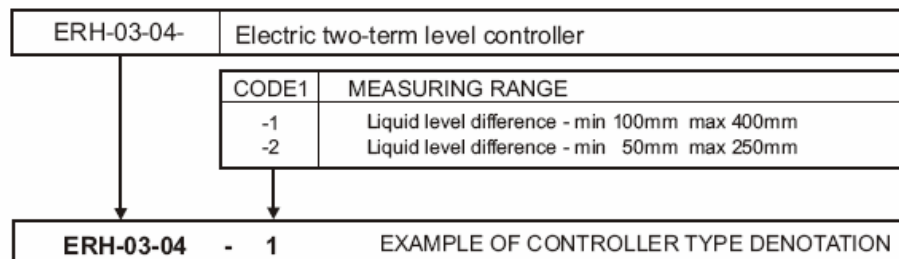
ORDERING OF ERH-01-04 CONTROLLER



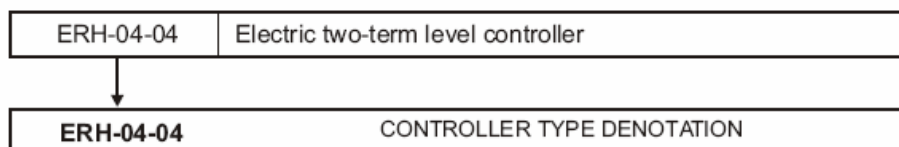
ORDERING OF ERH-02-04 CONTROLLER



ORDERING OF ERH-03-04 CONTROLLER



ORDERING OF ERH-04-04 CONTROLLER



- One should place the following data in the order:
- controller type and Product Directory SWW 0918-239,
 - kind of controlled medium,
 - parameters,
 - measuring range.

The right of introducing design changes in the product, without deteriorating of its operation parameters, is reserved.