

THE LEVEL CONTROLLERS IN MARINE VERSION ARE DESIGNED FOR SIGNALLING OF LIQUID LIMIT LEVELS OR TWO-TERM LIQUID LEVEL CONTROL IN OPEN AND CLOSED PRESSURIZED TANKS, IN NON-EXPLOSIVE ATMOSPHERE. THE CONTROLLERS CAN OPERATE ON SHIPS IN MARINE CLIMATE. THE UNITS ARE PROVIDED WITH CERTIFICATES ISSUED BY PRS, GERMANISCHER LLOYD, DNV, ABS.

TECHNICAL DATA

Parameters	ERH-01-07	ERH-02-07	ERH-03-07	ERH-04-07
Measuring range	10; 20; 30mm	10; 20; 30mm	100...400mm 50...250mm	32...1,350mm
Repeatability	±15%	±15%	±15%; ±5%	±15%; ±2%
Mass	2 kg	2.2 kg	2.4 kg	3.3 kg
Static pressure of the medium	0.2 MPa			
Permissible temperature of the medium	70°C			
Ambient temperature	-25°C...+70°C			
Casing protection degree	IP 68			
Minimum liquid density	0.6 x 10 ⁻³ kg/cm ³			

ELECTRIC PARAMETERS OF MICROSWITCH:

Rated voltage 24V

Minimal voltage and switching current 10V; 20mA

Rated switching parameters:

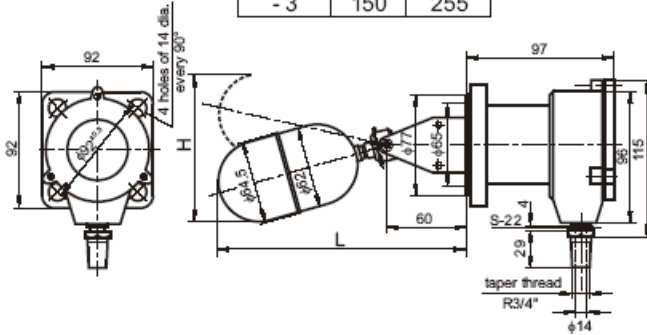
SWITCHING VOLTAGE [V]	DC VOLTAGE		AC VOLTAGE	
	Switching current [A]	Switching durability	Switching current [A]	Switching durability
24	2.5	30 x 10 ³	2.5	85 x 10 ³

Cross sections of connecting wires - for single-core wires: 1 sq. mm
- for multile-core wires: 1sq. mm

DIMENSIONED DRAWINGS

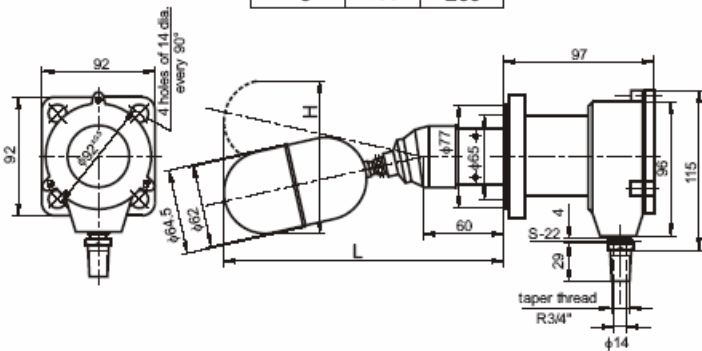
ERH-01-07

CODE	Hmm	Lmm
- 1	120	190
- 2	140	230
- 3	150	255



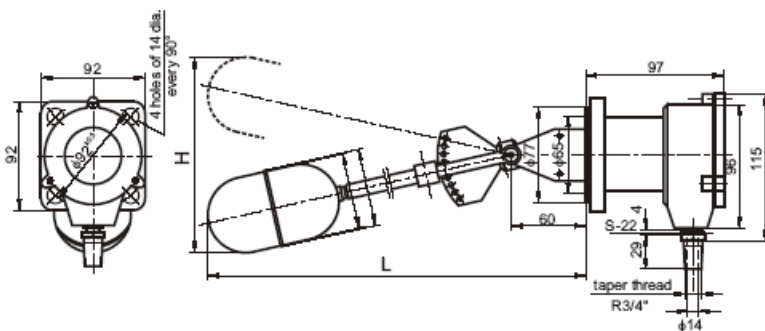
ERH-02-07

CODE	Hmm	Lmm
- 1	120	190
- 2	140	230
- 3	150	255

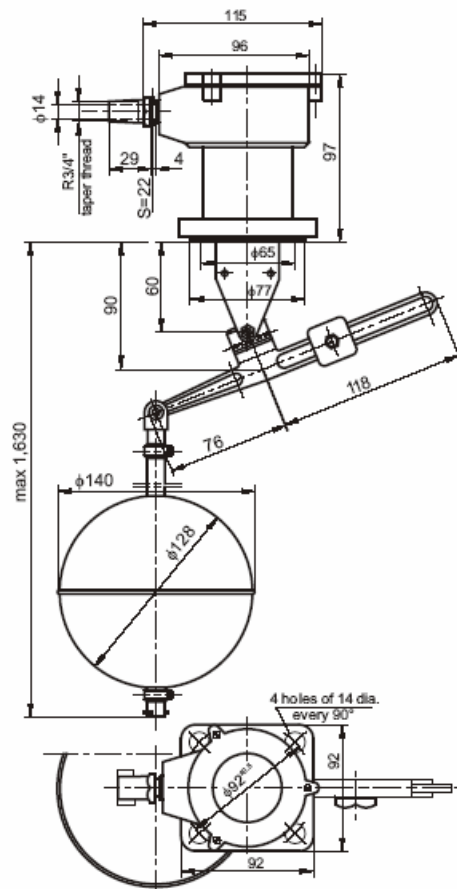


ERH-03-07

CODE	Hmm	Lmm
- 1	680	510
- 2	450	380

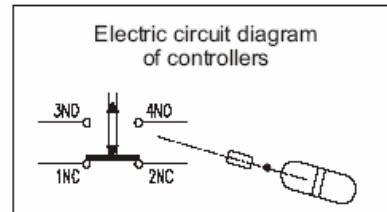
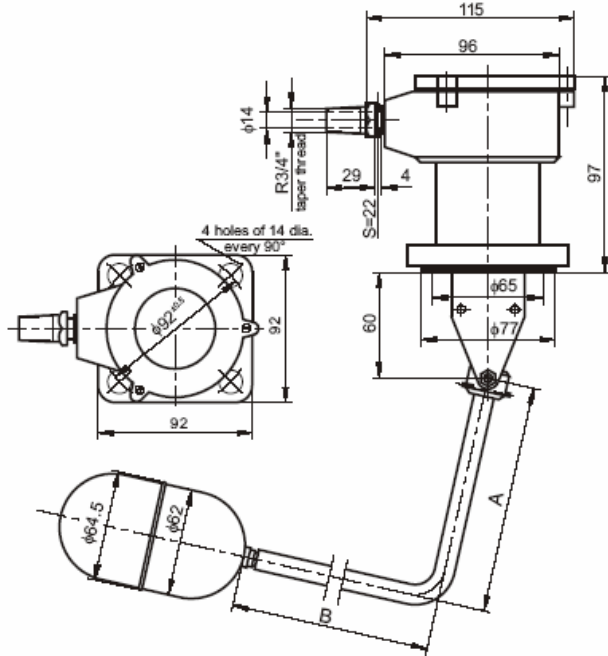


ERH-04-07



ERH-01-07-4-1-1

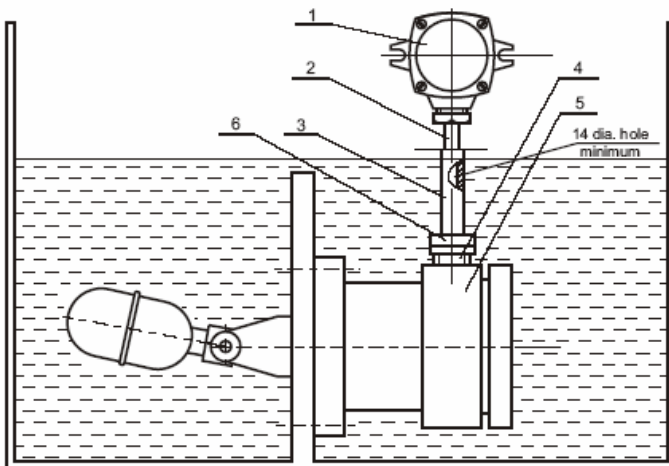
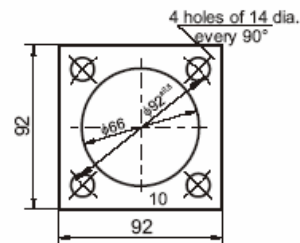
Electric two-term level controller
with curved tube dimensions: A=185, B=80; without cable



Required method of level controller installation,
with electric connector in version -1

- 1 - T-junction
- 2 - Cable
- 3 - Tube with screw fasteners (not included in controller equipment)
- 4 - Gland insert
- 5 - Controller
- 6 - End with taper thread R3/4"

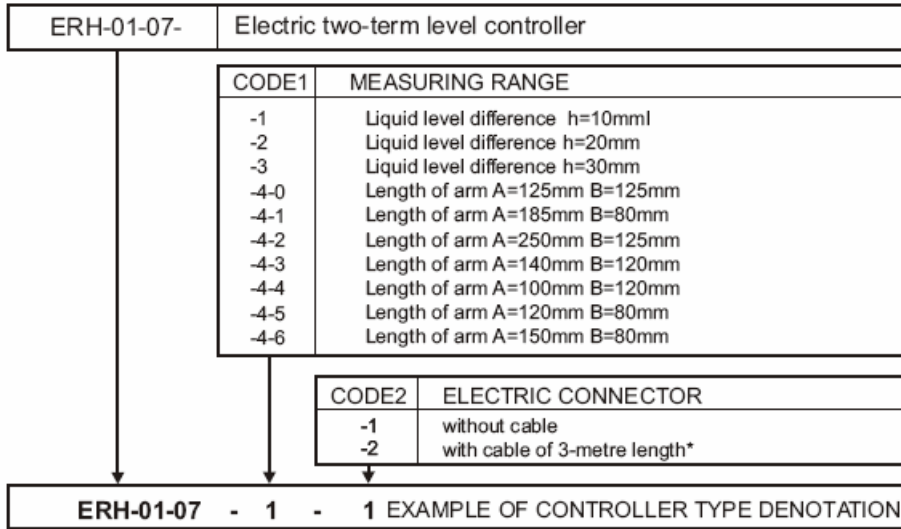
Dimensions of connecting flange



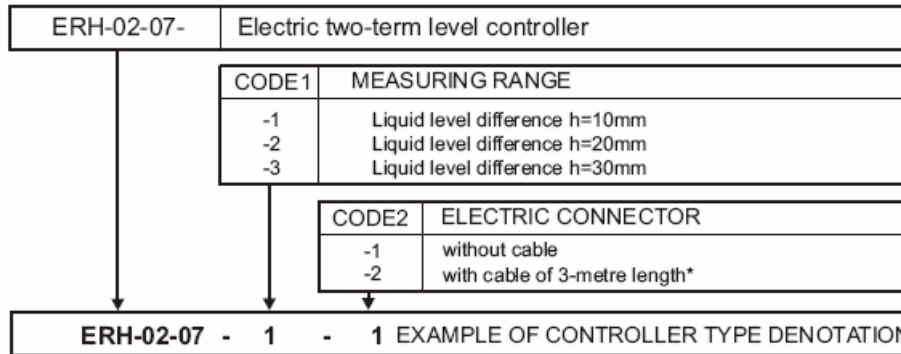
One should place the following data in the order:

- controller type and Product Directory SWW 0918-239,
- kind of controlled medium,
- parameters,
- measuring range.

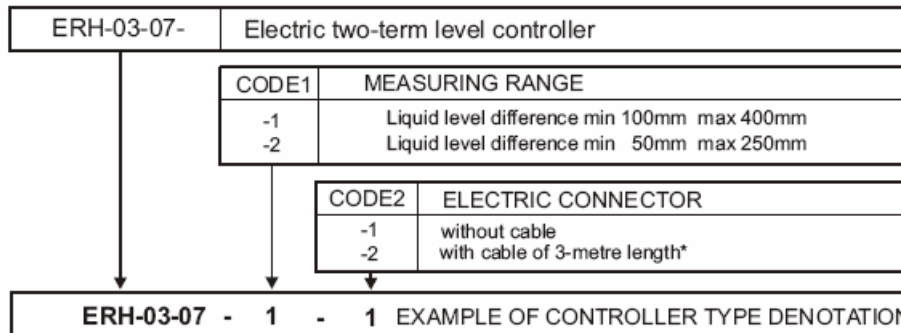
ORDERING OF ERH-01-07 CONTROLLER



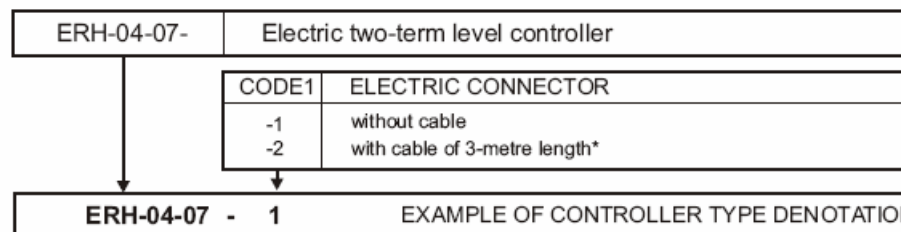
ORDERING OF ERH-02-07 CONTROLLER



ORDERING OF ERH-03-07 CONTROLLER



ORDERING OF ERH-04-07 CONTROLLER



*- other lengths upon special order

The right of introducing design changes in the product, without deteriorating of its operation parameters, is reserved.