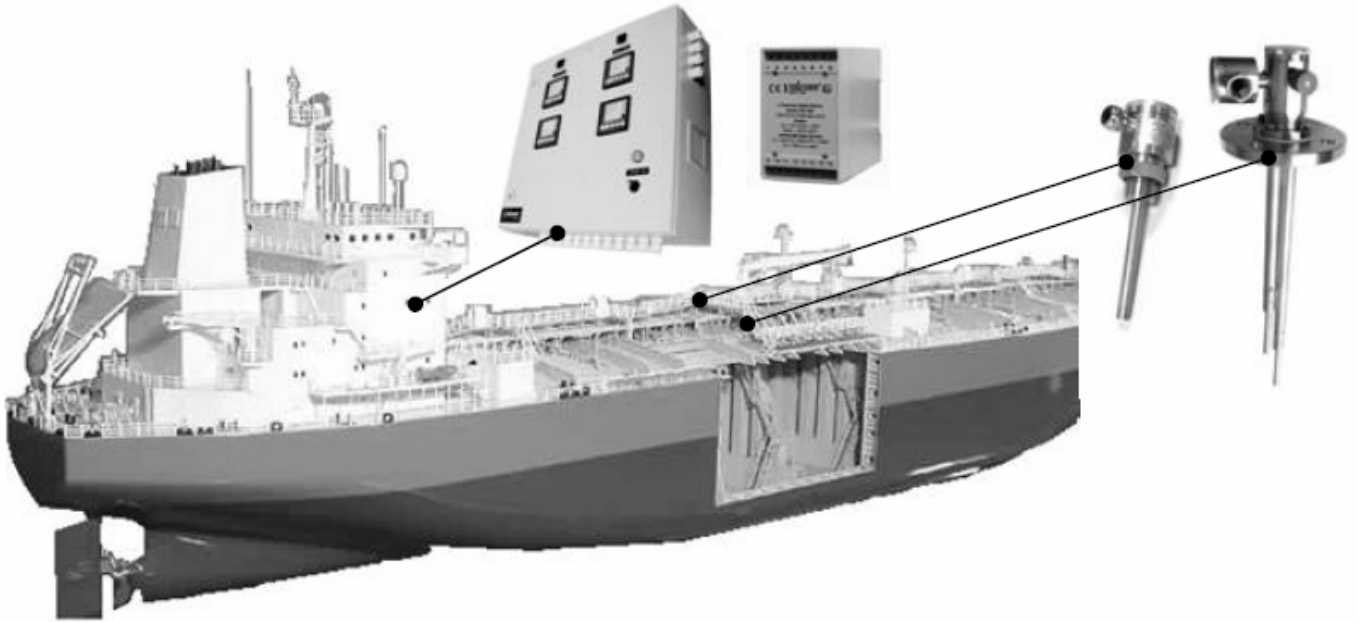


Series STH

STHOP – System for Tank High Overfill Protection



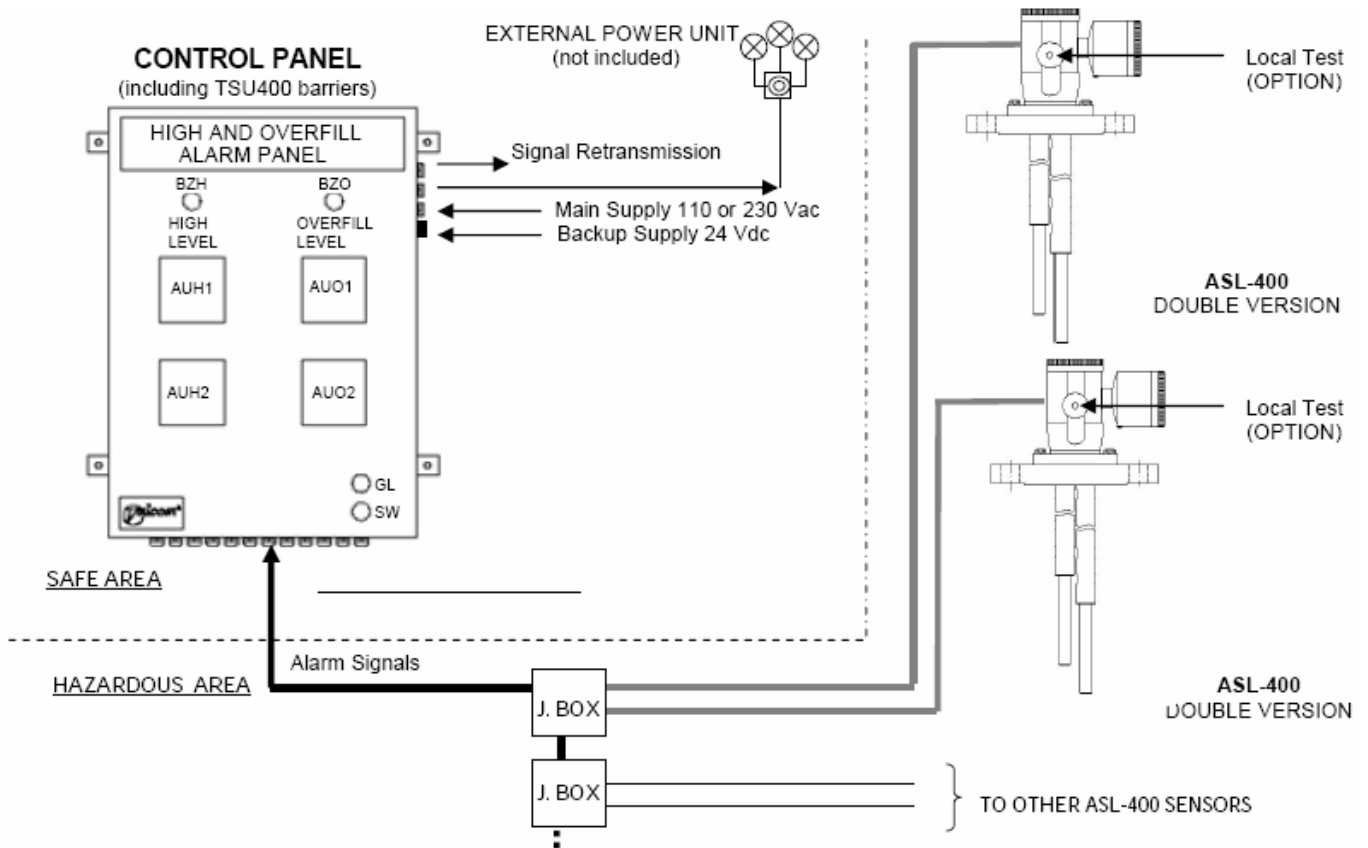
STHOP is a high (95%) and overfill (98%) alarm system for installation on tank ships, designed in accordance to classification societies requirements, to IMO A686 resolution and to USCG 46 CFR PART 39-20.7 rules.

The system is composed by the following main components:

- Static level switch ASL400 series with a complete St.St. AISI 316 construction, including cable gland. These sensors have a switching accuracy from 1 to 3 mm (depending on mounting position), no moving parts, self cleaning rod \varnothing 12 mm and they can be equipped with manual test device or pneumatic test device for remote activation; ASL400 are approved by Germanischer Lloyd, R.I.NA and Korean register (other approvals on request).
- 2-channels galvanically isolated safety barrier TSU400 series with intrinsic supply voltage regulation; widely used on board of ships, they performs visual local indications other than separated outputs to signal the alarm and fault conditions; TSU400 are approved by Germanischer Lloyd, R.I.NA and Korean register (other approvals on request).
- Control panel complete with indication lights and buzzers for visual and acoustic signals (ISA sequence) of the high (95%) and overfill (98%) alarm, fault (short circuit, cable interruption) and power failure conditions (main and auxiliary). The signals are given through light indicators and buzzer with different sound frequencies. Each indication clearly distinguish the event type and the involved zone. The signals can be retransmitted via relay output to a remote location from the control panel, for instance to a panel placed in the bridge console, or to an external power unit consisting of flashing lights and sirens (not included).

HIGH AND OVERFILL ALARM SYSTEM

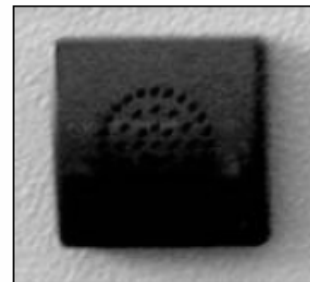
STH-01 DATA SHEET 2 of 2



FUNZIONI PRINCIPALI / MAIN FUNCTIONS



Segnalazione luminosa eventi
Event lights indication



Segnalazione acustica eventi
Event sound signal