

To control the level of liquids in tanks, deposits, etc.

Specifications

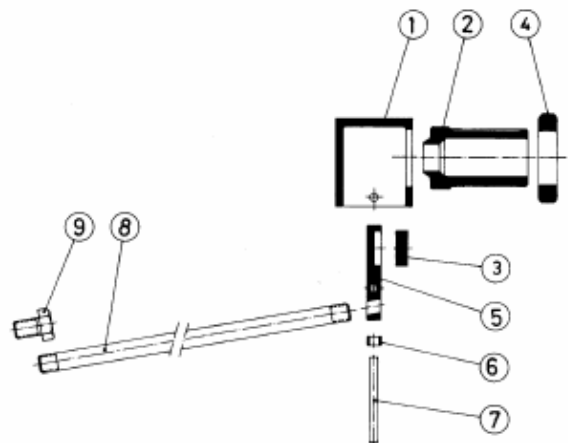
- Nominal pressure: PN-16.
- Whitworth gas-tight male thread cylindrical connector ISO 228/1 1978 (DIN-259), from 3/8" to 2 1/2".

IMPORTANT

Depending on demand:

- Fluorelastomer closure (Viton), etc.
- Buoy with coating of Epoxy, PTFE (Teflón), Chemical nickel, Shining smooth, etc.
- Entirely Stainless steel (DIN-1.4571) (AISI-316Ti).
(DIN-1.4301) (AISI-304), etc.

Nº. PIECE	PIECE	MATERIAL		
		STAINLESS STEEL		
1	Body	S. steel (DIN-1.4401) (AISI-316)		
2	Coupling	S. steel (DIN-1.4401) (AISI-316)		
3	Closure	Silicone's rubber		
4	Nut	S. steel (DIN-1.4401) (AISI-316)		
5	Lever	S. steel (DIN-1.4401) (AISI-316)		
6	Separator	S. steel (DIN-1.4401) (AISI-316)		
7	Pin	S. steel (DIN-1.4401) (AISI-316)		
8	Stem	S. steel (DIN-1.4401) (AISI-316)		
9	Connector	S. steel (DIN-1.4401) (AISI-316)		
DN		3/8" to 2 1/2"		
PN		16		
OPERATING CONDITIONS	PRESSURE IN bar	16	15	14
	MAXIMUM TEMP. IN °C	120	180	200
	MINIMUM TEMP. IN °C	- 60		



Closure pressure

The closure pressure of the valve will vary with relation to the specific weight of the liquid being controlled according to the following formula:

$$P = \frac{p}{p_a} Pa$$

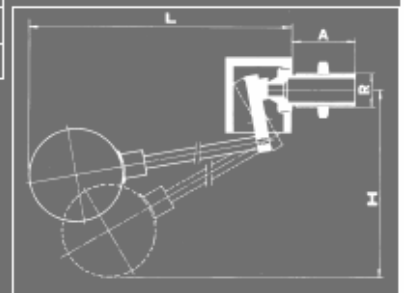
P = Closure pressure liquid.
p = Specific weight liquid.

Pa = Closure pressure water.
pa = Specific weight water.

R	REDUCED PITCH Ø	A	PRESSURE bar	1 2 3 4 5 6 7 8 9 10 11 12 13 14 15 16															
				0,5	0,5	0,5	0,5	0,5	0,5	0,5	0,5	0,5	0,5	0,5	0,5	0,5	0,5	0,5	0,5
3/8"	6	31	BUOY	C. Ø60x120			E. Ø90			E. Ø110							P.Ø150x60		
			L	396			366			386							428		
			H	215			210			225							222		
			WEIGHT IN kgs.	0,38			0,41			0,50							0,60		
			CODE	2008-151.3382			2008-151.3382 (+) 34005												
			FLOW 1h WATER 20°C	1058	1560	1780	2027	2270	2482	2603	2640	2794	2880	2970	3120	3250	3380	3510	3614
1/2"	10	35	BUOY	C. Ø60x120	E. Ø90	E. Ø110	P. Ø150x60	E. Ø150											
			L	434	404	424	466	418											
			H	252	245	260			267										
			WEIGHT IN kgs.	0,53	0,56	0,64	0,90	0,84											
			CODE	2008-151.30221 (+) 34005		2008-151.30221			2008-151.30222										
			FLOW 1h WATER 20°C	2644	3738	4575	5287	5640	6346	7985	7457	7931	8354	8674	9051	9425			
3/4"	12,5	40	BUOY	E. Ø90	E. Ø110	P. Ø150x60	E. Ø150												
			L	450	469	509	507												
			H	240	255	250	282												
			WEIGHT IN kgs.	1,04	1,12	1,27	1,32												
			CODE	2008-151.3342															
			FLOW 1h WATER 20°C	4522	6395	7823	9044	10090	11033	11937	12797	13566	14289	14850					
1"	16	45	BUOY	E. Ø110	P. Ø150x60	P. Ø200x80	E. Ø150	E. Ø150	P. Ø250x95										
			L	475	507	565	510	615	732										
			H	257	250	275	285	327	350										
			WEIGHT IN kgs.	1,20	1,34	1,48	1,38	1,25	1,77										
			CODE	2008-151.31021				2008-151.31022											
			FLOW 1h WATER 20°C	6480	9270	11352	13148	14667	16044	17363	18369	19398	20510						
1 1/4"	21	50	BUOY	E. Ø150	P. Ø250x95	E. Ø200				P. Ø300x15									
			L	637	737	680				787									
			H	317	327	355				350									
			WEIGHT IN kgs.	1,82	2,21	1,95				2,72									
			CODE	2008-151.31421				2008-151.31422											
			FLOW 1h WATER 20°C	11508	16226	19925	23016	25663	28080	30382	32204	34136	36040						
1 1/2"	24	57	BUOY	P. Ø250x95	E. Ø200	P. Ø300x115			P. Ø350x130 or E. Ø300										
			L	660	610	710			760 or 710										
			H	285	315	310			330 or 385										
			WEIGHT IN kgs.	2,60	2,57	3,11			3,25 or 3,30										
			CODE	2008-151.3121		2008-151.3122													
			FLOW 1h WATER 20°C	14548	20512	25167	29070	32442	35362	38544	42216	46089	50200						
2"	29	60	BUOY	E. Ø200			P. Ø300x115	P. Ø350x150			E. Ø300								
			L	677			777	827			777								
			H	410			417	440			485								
			WEIGHT IN kgs.	3,86			4,39	4,81			4,87								
			CODE	2008-151.3202															
			FLOW 1h WATER 20°C	22138	31648	38296	44273	49364	54010	58439	63114	68030	72792						
2 1/2"	40	79	BUOY	E. Ø200	P. Ø300x115	P. Ø350x130 or E. Ø300													
			L	704	804	845 or 804													
			H	420	427	450 or 490													
			WEIGHT IN kgs.	6,52	7,30	7,72 or 7,50													
			CODE	2008-151.3222															
			FLOW 1h WATER 20°C	36015	50138	61128	70615	78342											

IMPORTANT

- C. - Cylindrical buoy.
- E. - Spherical buoy.
- P. - Flat buoy.
- Use the relevant code for the buoy, according to brochure Model 152.
- Buoys suitable for higher pressure are also suitable for use at lower pressure.



Informative brochure, without obligation and subject to our General Sales Conditions.