

PRESSURE RELIEF VALVE

KSPR/PS TYPE BREATHER VALVE



GENERAL DESCRIPTION

According to API 2000 code, the pressure & vacuum relief valve of Model KSPR and KSPS are designed, manufactured and tested.

Model KSPR and KSPS, which is used for the protector of fluid storage tank, is composed of pressure relief function.

(Model KSBS is used for the pressure setting above 1 PSIG)

For the inflammable gases, blanketing system is used to supply the inert gas into the tank and to suppress the oxygen supply into the tank during the vacuum phenomena.

For the overpressure inside of the the tank, Model KSPR and KSPS is designed to discharge it through the pressure relief valve.

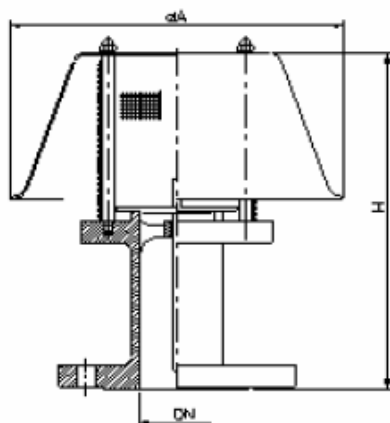
SPECIFICATIONS

SETTING RANGE

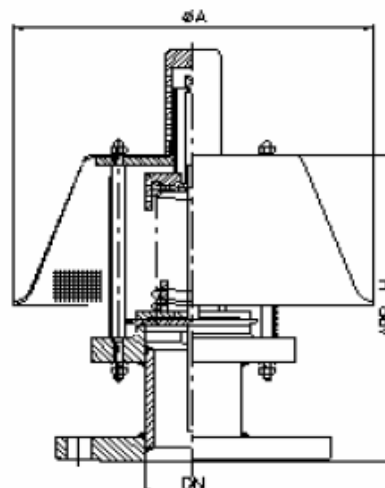
	KSPR TYPE		KSPS TYPE	
	MIN	MAX	MIN	MAX
SET PRESSURE	20mmW.C	700mmW.C	700mmW.C	10,000mmW.C

PRESSURE RELIEF VALVE

OUTLINE



KSPR TYPE



KSPS TYPE

DIMENSION TABLE

Unit =mm

SIZE	2"	3"	4"	6"	8"	10"	12"
DN	50	80	100	150	200	250	300
A	252	330	440	440	500	580	620
H	300	332	342	394	427	459	480

NOTES : Standard Connection : ANSI 150LB FF flange, JIS or different sizes available on request.

MATERIALS OF CONSTRUCTION

ITEM NO	COMPONENT	BODY	ALUMINIUM	C.S	304 S.S	316 S.S
		TRIM	304 S.S	304 S.S	304S.S	316 S.S
1	BODY		ALUMINIUM	C.S	304 S.S	316 S.S
2	SEAT		304 S.S	304 S.S	304 S.S	316 S.S
3	PRESSURE GUIDE POST		304 S.S	304 S.S	304 S.S	316 S.S
4	PRESSURE SCREEN		304 S.S	304 S.S	304 S.S	316 S.S
5	COVER		ALUMINIUM	C.S	304 S.S	316 S.S
6	HOOD		304 S.S	304 S.S	304 S.S	304 S.S
7	CAP NUT		304 S.S	304 S.S	304 S.S	316 S.S
8	WASHER		304 S.S	304 S.S	304 S.S	316 S.S
9	PALLET ASSEMBLY		304 S.S	304 S.S	304 S.S	316 S.S
	PALLET INSERT		TEFLON			
	PALLET WEIGHT		LEAD			
10	STEAM GUIDE		304 S.S	304 S.S	304 S.S	316 S.S