

PRESSURE RELIEF VALVE

KSBD/DS TYPE BREATHER VALVE



GENERAL DESCRIPTION

According to API 2000 code, the pressure relief valve with pipe away type of Model KSBD and KSDS are designed, manufactured and tested.

Model KSBD and KSDS, which is used for the protector of fluid storage tank, is composed of pressure relief function.

(Model KSDS is used for the pressure setting above 1 PSIG)

This vent valve should be the pipe away for the condition of driving pressure and the re-treatment of poisonous and flammable gas and steam.

For this reason, KSPC has produced the Model KSBD and KSDS.

SPECIFICATIONS

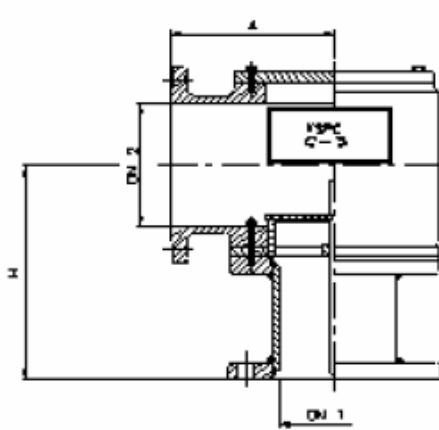
SETTING RANGE

	KSBD TYPE		KSDS TYPE	
	MIN	MAX	MIN	MAX
SET PRESSURE	20mmW.C	700mmW.C	700mmW.C	10,000mmW.C

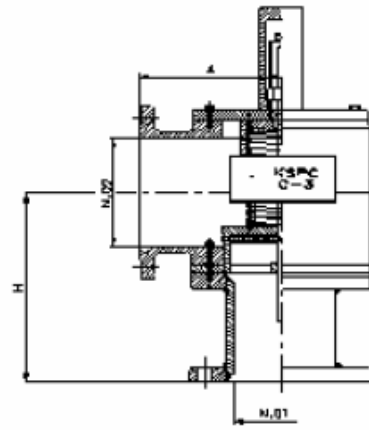
NOTES : VACUUM SIDE FOR SPRING ROAD (OVER 700mmW.C) AVAILABLE ON REQUEST

PRESSURE RELIEF VALVE

OUTLINE



KSBD TYPE



KSDS TYPE

DIMENSION TABLE

Unit =mm

SIZE	2" X 3"	3" X 4"	4" X 6"	6" X 8"	8" X 10"	10" X 12"	12" X 14"
DN 1	50	80	100	150	200	250	300
DN 2	80	100	150	200	250	300	350
A	130	170	180	220	250	275	290
H	190	213	249	306	360	434	484

NOTES : Standard Connection : ANSI 150LB FF flange, JIS or different sizes available on request.

MATERIALS OF CONSTRUCTION

ITEM NO	COMPONENT	BODY		ALUMINIUM	C.S	304 S.S	316 S.S
		TRIM		304 S.S	304 S.S	304S.S	316 S.S
1	BODY	ALUMINIUM	C.S	304 S.S	316 S.S		
2	SEAT	304 S.S	304 S.S	304 S.S	316 S.S		
3	PRESSURE GUIDE POST	304 S.S	304 S.S	304 S.S	316 S.S		
4	COVER GASKET	TEFLON					
5	COVER	ALUMINIUM	C.S	304 S.S	316 S.S		
6	STUD BOLT/NUT	304 S.S	304 S.S	304 S.S	316 S.S		
7	WASHER	304 S.S	304 S.S	304 S.S	316 S.S		
8	PALLET ASSEMBLY	304 S.S	304 S.S	304 S.S	316 S.S		
9	PALLET WEIGHT	LEAD					
10	STEAM GUIDE	304 S.S	304 S.S	304 S.S	316 S.S		