

## PRESSURE VACUUM RELIEF VALVE

### KSBB/BS TYPE BREATHER VALVE

**\* FACTORY MUTUAL APPROVAL FOR MOST SIZE AND MATERIALS.**

#### GENERAL DESCRIPTION

According to API 2000 code, the pressure & vacuum relief valve of Model KSBB and KSBS are designed, manufactured and tested.

Model KSBB, which is used for the protector of fluid storage tank, is composed of one body with the functions of pressure relief and vacuum relief. (Model KSBS is used for the pressure setting above 1 PSIG)

This valve has functions to intake the air under constant pressure during unloading and to discharge the overpressure generated during pouring the fluid into storage tank. This is the safe valve to control the deflation (vacuum) and inflation (pressure) of several storage tank.



#### SPECIFICATIONS

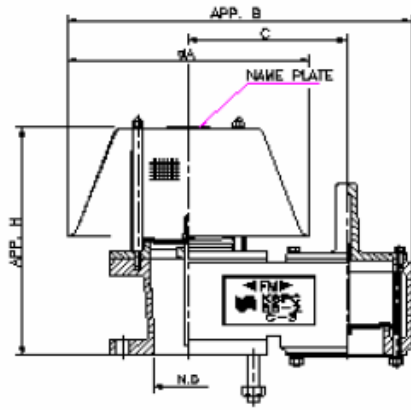
##### SETTING RANGE

	KSBB TYPE		KSBS TYPE	
	MIN	MAX	MIN	MAX
SET PRESSURE	20mmW.C	700mmW.C	700mmW.C	10,000mmW.C
SET VACUUM	20mmW.C	700mmW.C	20mmW.C	700mmW.C

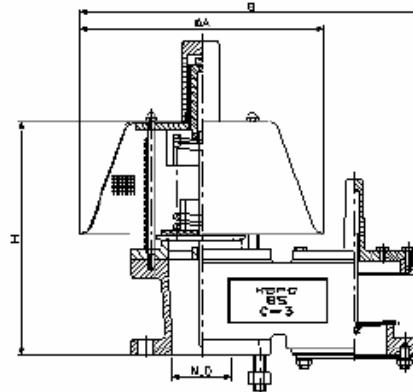
NOTES : VACUUM SIDE FOR SPRING ROAD (OVER 700mmW.C) AVAILABLE ON REQUEST

## PRESSURE VACUUM RELIEF VALVE

### OUTLINE



KSBB TYPE



KSBS TYPE

### DIMENSION TABLE

Unit =mm

SIZE	2"	3"	4"	6"	8"	10"	12"
DN	50	80	100	150	200	250	300
A	252	330	350	440	500	580	620
B	367	463	500	626	754	879	979
C	168	206	230	283	348	406	466
H	278.5	314.5	335.5	407.5	466.5	517.5	563.5

NOTES : Standard Connection : ANSI 150LB FF flange, JIS or different sizes available on request.

### MATERIALS OF CONSTRUCTION

ITEM NO	COMPONENT	BODY	ALUMINIUM	C.S	304 S.S	316 S.S
		TRIM	304 S.S	304 S.S	304S.S	316 S.S
1	BODY		ALUMINIUM	C.S	304 S.S	316 S.S
2	SEAT		304 S.S	304 S.S	304 S.S	316 S.S
3	VACUUM GUIDE POST		304 S.S	304 S.S	304 S.S	316 S.S
4	PRESSURE GUIDE POST		304 S.S	304 S.S	304 S.S	316 S.S
5	VACUUM SCREEN		304 S.S	304 S.S	304 S.S	316 S.S
6	PRESSURE SCREEN		304 S.S	304 S.S	304 S.S	316 S.S
7	COVER GASKET		TEFLON			
8	COVER		ALUMINIUM	C.S	304 S.S	316 S.S
9	HOOD		304 S.S	304 S.S	304 S.S	304 S.S
10	STUD BOLT/NUT		304 S.S	304 S.S	304 S.S	316 S.S
11	CAP NUT		304 S.S	304 S.S	304 S.S	316 S.S
12	WASHER		304 S.S	304 S.S	304 S.S	316 S.S
13	PALLET ASSEMBLY		304 S.S	304 S.S	304 S.S	316 S.S
	PALLET INSERT		TEFLON			
	PALLET WEIGHT		LEAD			
14	STEAM GUIDE		304 S.S	304 S.S	304 S.S	316 S.S