

PRESSURE VACUUM RELIEF VALVE

KSBG/GS TYPE BREATHER VALVE



GENERAL DESCRIPTION

According to API 2000 code, the pressure relief valve with pipe away type of Model KSBG and KSGS are designed, manufactured and tested.

Model KSBG and KSGS, which is used for the protector of fluid storage tank, is composed of a body with the function of pressure relief and vacuum relief.

(Model KSGS is used for the pressure setting above 1 PSIG)

In case of using the vapor recovery system of combustion poisonous and flammable gas in the storage tank at the flare stack, our KSBG KSGS Models can be used to pipe away type.

SPECIFICATIONS

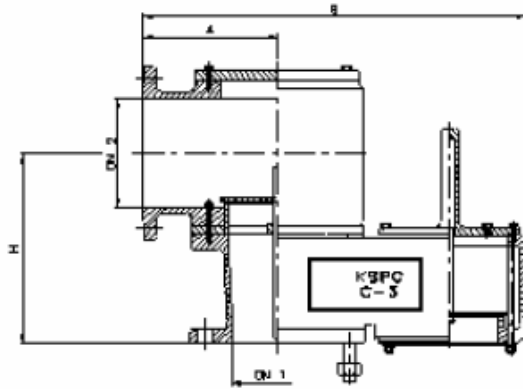
SETTING RANGE

	KSBG TYPE		KSGS TYPE	
	MIN	MAX	MIN	MAX
SET PRESSURE	20mmW.C	700mmW.C	700mmW.C	10,000mmW.C
SET VACUUM	20mmW.C	700mmW.C	20mmW.C	700mmW.C

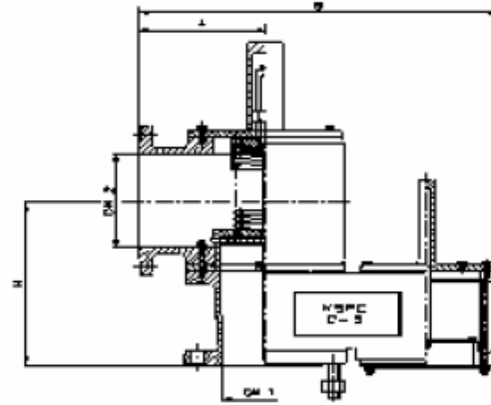
NOTES : VACUUM SIDE FOR SPRING ROAD (OVER 700mmW.C) AVAILABLE ON REQUEST

PRESSURE VACUUM RELIEF VALVE

OUTLINE



KSBG TYPE



KSGS TYPE

DIMENSION TABLE

Unit =mm

SIZE	2" X 3"	3" X 4"	4" X 6"	6" X 8"	8" X 10"	10" X 12"	12" X 14"
DN 1	50	80	100	150	200	250	300
DN 2	80	100	150	200	250	300	350
A	130	170	180	220	250	275	340
B	371	487	505	626	779	839	1110
H	190	213	249	306	360	434	445

NOTES : Standard Connection : ANSI 150LB FF flange, JIS or different sizes available on request.

MATERIALS OF CONSTRUCTION

ITEM NO	COMPONENT	BODY	ALUMINIUM	C.S	304 S.S	316 S.S
		TRIM	304 S.S	304 S.S	304S.S	316 S.S
1	BODY		ALUMINIUM	C.S	304 S.S	316 S.S
2	SEAT		304 S.S	304 S.S	304 S.S	316 S.S
3	VACUUM GUIDE POST		304 S.S	304 S.S	304 S.S	316 S.S
4	PRESSURE GUIDE POST		304 S.S	304 S.S	304 S.S	316 S.S
5	VACUUM SCREEN		304 S.S	304 S.S	304 S.S	316 S.S
6	COVER GASKET		TEFLON			
7	COVER		ALUMINIUM	C.S	304 S.S	316 S.S
8	STUD BOLT/NUT		304 S.S	304 S.S	304 S.S	316 S.S
9	CAP NUT		304 S.S	304 S.S	304 S.S	316 S.S
10	WASHER		304 S.S	304 S.S	304 S.S	316 S.S
11	PALLET ASSEMBLY		304 S.S	304 S.S	304 S.S	316 S.S
	PALLET INSERT		TEFLON			
	PALLET WEIGHT		LEAD			
12	STEAM GUIDE		304 S.S	304 S.S	304 S.S	316 S.S