

## PRESSURE VACUUM RELIEF VALVE

---

### KSBJ/JS TYPE BREATHER VALVE

#### GENERAL DESCRIPTION



According to API 2000 code, the pressure & vacuum relief valve with steam traced of Model KSBJ and KSJS are designed, manufactured and tested.

Model KSBJ and KSJS, which is used for the protector of fluid storage tank, is composed of a body with the functions of pressure relief and vacuum relief. (Model KSJS is used for the pressure setting above 1 PSIG)

Some special fluid or gases are sublimated at room temperature. The safety of tank is kept by the supply of external heat and the normal operation of valve disc (pallet) for venting. Model KSJS type are designed and manufactured to supply the steam through the steam traced of the main valve.

#### SPECIFICATIONS

---

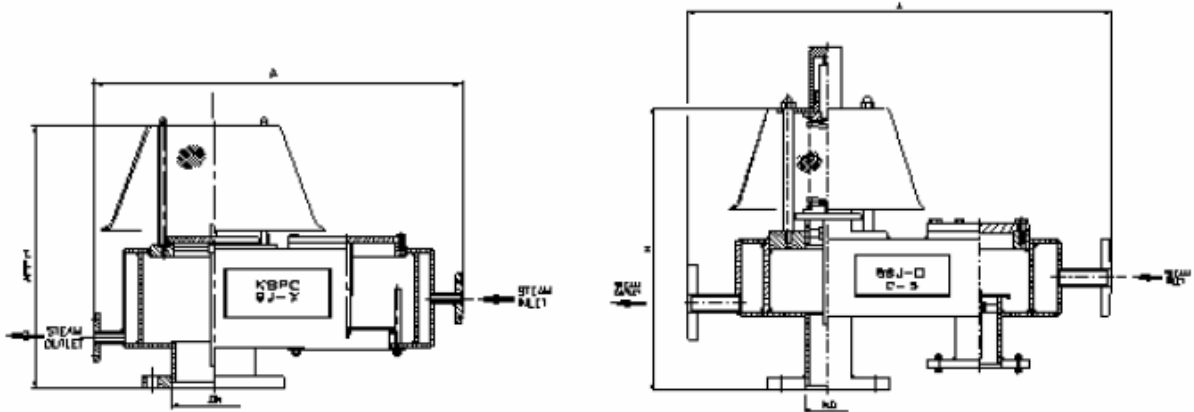
##### SETTING RANGE

	KSBJ TYPE		KSJS TYPE	
	MIN	MAX	MIN	MAX
SET PRESSURE	20mmW.C	700mmW.C	700mmW.C	10,000mmW.C
SET VACUUM	20mmW.C	700mmW.C	20mmW.C	700mmW.C

NOTES : VACUUM SIDE FOR SPRING ROAD (OVER 700mmW.C) AVAILABLE ON REQUEST

## PRESSURE VACUUM RELIEF VALVE

### OUTLINE



KSBJ TYPE

KSJS TYPE

### DIMENSION TABLE

Unit =mm

SIZE	2"	3"	4"	6"	8"	10"	12"
DN	50	80	100	150	200	250	300
A	627	723	760	994	1125	1250	1350
H	360	395	415	505	556	610	655

NOTES : Standard Connection : ANSI 150LB FF flange, JIS or different sizes available on request.

### MATERIALS OF CONSTRUCTION

ITEM NO	COMPONENT	BODY	STEEL	304 S.S	316 S.S
		TRIM	304 S.S	304S.S	316 S.S
1	BODY		STEEL	304 S.S	316 S.S
2	SEAT		304 S.S	304 S.S	316 S.S
3	VACUUM GUIDE POST		304 S.S	304 S.S	316 S.S
4	PRESSURE GUIDE POST		304 S.S	304 S.S	316 S.S
5	VACUUM SCREEN		304 S.S	304 S.S	316 S.S
6	PRESSURE SCREEN		304 S.S	304 S.S	316 S.S
7	COVER GASKET		TEFLON		
8	COVER		STEEL	304 S.S	316 S.S
9	HOOD		304 S.S	304 S.S	304 S.S
10	STUD BOLT/NUT		304 S.S	304 S.S	316 S.S
11	CAP NUT		304 S.S	304 S.S	316 S.S
12	WASHER		304 S.S	304 S.S	316 S.S
13	PALLET ASSEMBLY		304 S.S	304 S.S	316 S.S
	PALLET WEIGHT		LEAD		
14	STEAM GUIDE		304 S.S	304 S.S	316 S.S