

EMERGENCY PRESSURE RELIEF VENT COVER

KSES TYPE EMERGENCY VENT COVER



INTRODUCTION

The KSPC Model KSES/KSESV Emergency vent and manhole cover opens to greatly increase tanks when the internal pressure rises above the set point.

It remains closed tightly at all internal pressure below the setting. This unit also provides easy access into the tank the most common sources of this internal is fire exposure.

APPLICATION

Type KSES provides emergency pressure relief only.

The vessel's breather valve must supply any vacuum relief requirements. The type KSESV is the same as the KSES and in addition offers a spring loaded vacuum relief valve as an integral part of the emergency pressure relief cover assembly.

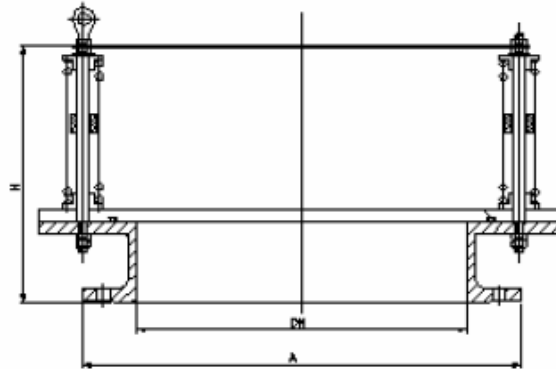
SPECIFICATIONS

SETTING RANGE

	ALUMINIUM		STEEL & STAINLESS STEEL	
	MIN	MAX	MIN	MAX
SET PRESSURE	700mmW.C	10,000mmW.C	700mmW.C	10,000mmW.C

EMERGENCY PRESSURE RELIEF VENT COVER

OUTLINE



KSES TYPE

DIMENSION TABLE

Unit =mm

	16"	18"	20"	24"
DN	400	450	500	600
A	597	635	660	762
H	570	570	570	570

* CERTIFIED DIMENSIONS AVAILABLE UPON REQUEST. (STD : API650)

MATERIALS OF CONSTRUCTION

ITEM NO	COMPONENT	BODY	ALUMINIUM	C.S	304 S.S	316 S.S
		TRIM	304 S.S	304 S.S	304S.S	316 S.S
1	BODY		ALUMINIUM	C.S	304 S.S	316 S.S
2	COVER		ALUMINIUM	304 S.S	304 S.S	316 S.S
3	O-RING	VITON				
4	PRE. SPRING	SUP6				316 S.S
5	PRE. SPRING NUT		304 S.S	304 S.S	304 S.S	316 S.S
6	PRE. SPRING SUPPORT		304 S.S	304 S.S	304 S.S	316 S.S
7	PRE. SPRING GUIDE		304 S.S	304 S.S	304 S.S	316 S.S