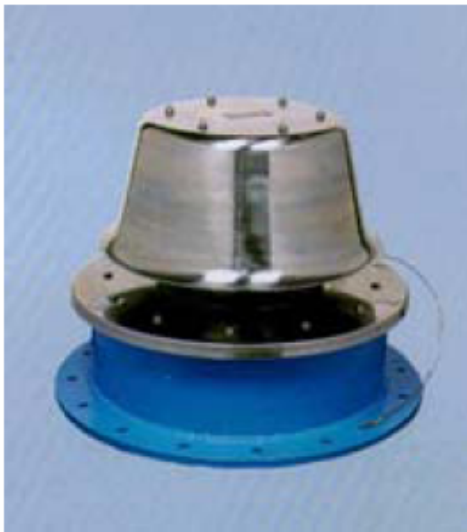


## EMERGENCY PRESSURE RELIEF VENT COVER

---

### KSEV TYPE EMERGENCY VENT COVER



#### GENERAL DESCRIPTION

According to API 2000 code, the emergency pressure relief valve of Model KSEV are designed, manufactured and tested.

Model KSEV, which is used for the protector of fluid storage tank, is composed of a body with function of emergency pressure relief.

The valve has two functions : one is to discharge rapidly the overpressure developed during the fire around the storage tank or the excessive fluid intake more than the capacity of pump designed, the other is to intake the air under the constant pressure for the irregular operation of normal vacuum relief valve during the unloading. This is the safe valve to protect the storage tank from the deflation (vacuum) and inflation (pressure)

#### SPECIFICATIONS

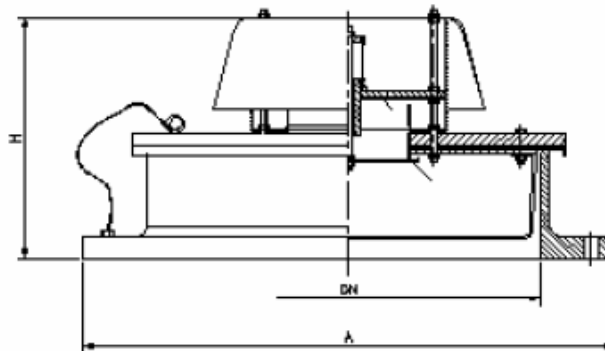
---

##### SETTING RANGE

	ALUMINIUM		STEEL & STAINLESS STEEL	
	MIN	MAX	MIN	MAX
SET PRESSURE	50mmW.C	700mmW.C	50mmW.C	700mmW.C
SET VACUUM	22mmW.C	700mmW.C	22mmW.C	700mmW.C

## EMERGENCY PRESSURE RELIEF VENT COVER

### OUTLINE



KSEV TYPE

### DIMENSION TABLE

Unit =mm

		16"	18"	20"	24"
A	DN	400	450	500	600
	API 650	597	635	660	762
	ANSI 150#	597	635	698	813
H	MIN.	350	375	400	450
	MAX.	420	445	470	520

### MATERIALS OF CONSTRUCTION

ITEM NO	COMPONENT	BODY	ALUMINIUM	C.S	304 S.S	316 S.S
		TRIM	304 S.S	304 S.S	304S.S	316 S.S
1	BODY		ALUMINIUM	C.S	304 S.S	316 S.S
2	COVER		ALUMINIUM	304 S.S	304 S.S	316 S.S
3	PLATE		304 S.S	304 S.S	304 S.S	316 S.S
4	GUIDE		304 S.S	304 S.S	304 S.S	316 S.S
5	DIAPHRAGM	TEFLON				
6	EARTH WIRE		304 S.S	304 S.S	304 S.S	316 S.S
7	STUD BOLT/NUT		304 S.S	304 S.S	304 S.S	316 S.S
8	WASHER		304 S.S	304 S.S	304 S.S	316 S.S
9	LOADING W'T	STEEL				