

## KSFD TYPE FLAME ARRESTER



### Benefits

- Meet USCG, IMO MSC/Circ,677 & EN 12874 requirements
- Designed for Detonation & Deflagration proof
- Maximum Capacity & Minimum Pressure drop
- Capability of of absorption of high shock pressure
- Quick & Easy removable element
- Very easy cleaning & maintenance
- Available vertical & horizontal installation
- High quality corrosion & chemical resistance

### ■ Introduction ■

---

The model KSFD inline detonation flame arrester is designed, manufactured and tested according to API 2000, British Standard Specification Code BS 7244, EN 12874, USCG and IMO MSC/Circ,677.

The KSFD detonation flame arresters provide protection against flame propagation in piping systems that are manifolded or have long runs.

The arresters are designed to stop an ignited flammable vapor mixture travelling at subsonic or supersonic vapor velocities.

They are also designed to protect against continuous burning against the 316LSS flame cell for a specific period.

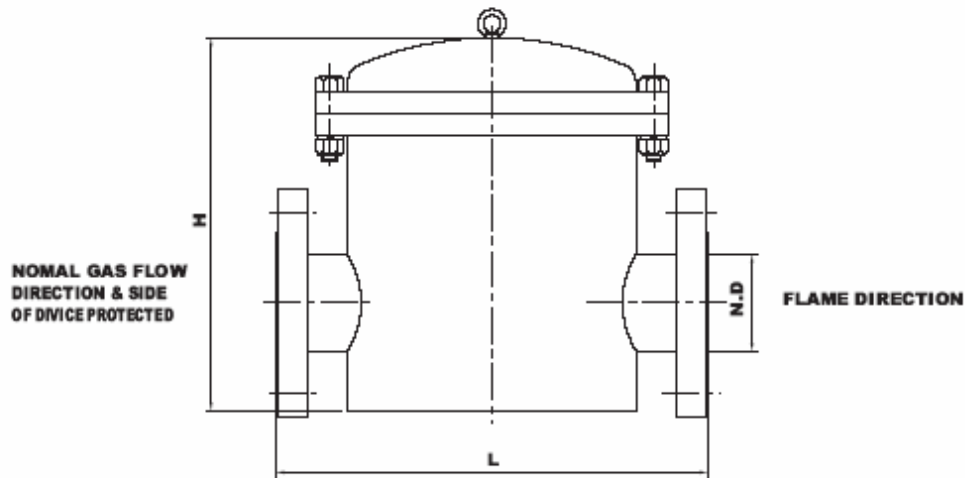
The standard flame cell is suitable for NEC group D or IEC IIA gases. Cells for other gas groups are available as additional extras.

The flame arresters are available with either carbon steel (epoxy coated), 304SS, or 316SS housing with 316LSS flame cells.

Sizes range from 25mm to 300mm.

Standard flanges are ANSI 150lb and other connections are available upon request.

## KSFD TYPE FLAME ARRESTER



### Dimension Table

Unit = mm

| Size | 1   | 1 1/2" | 2"  | 3"  | 4"  | 6"  | 8"  | 10" | 12" | Other Size           |
|------|-----|--------|-----|-----|-----|-----|-----|-----|-----|----------------------|
| N.D  | 25  | 40     | 50  | 80  | 100 | 150 | 200 | 250 | 300 | Available on request |
| L    | 350 | 350    | 460 | 460 | 580 | 700 | 750 | 810 | 956 |                      |
| H    | 380 | 380    | 440 | 440 | 480 | 495 | 550 | 610 | 670 |                      |

Note: Standard flanges are ANSI 150lb and other connections are available upon request.

### Materials of Construction

|                  | Standard Design                                       | Special Design |     |
|------------------|---|----------------|-----|
| Body             | C.S   | Welded C.S     | S.S |
| Element Ring     | C.S or S.S  | C.S or S.S     | S.S |
| Element          | Aluminium or Stainless Steel                          |                |     |
| Standard Coating | In-Out side Epoxy 250 Micron except for S.S & AL Part |                |     |

Note : C.I - Cast Iron, S.S - Stainless Steel, C.S - Carbon Steel, AL - Aluminium