

KSFI TYPE FLAME ARRESTER



Benefits

- Meet USCG, IMO MSC/Circ,677 & EN 12874 requirements
- Designed for Explosion & Deflagration proof
- Maximum Capacity & Minimum Pressure drop
- Capability of Bi-directional flow & flame arresting
- Quick & Easy removable element
- Very easy cleaning & maintenance
- Available vertical & horizontal installation
- High quality corrosion & chemical resistance

■ Introduction ■

The model KSFI inline flame arrester is designed, manufactured and tested according to API 2000 and EN 12874.

The unit are passive devices with no moving parts.

They prevent the propagation of flame from the exposed side of the unit to the protected side by the use of a 316L stainless steel crimped metal ribbon type flame cell element.

This construction produces a matrix of uniform opening that are carefully constructed to quench the flame by absorbing the heat.

This provides an extinguishing barrier to the ignited vapor mixture.

The KSFI flame arrestors have specifically designed heat transfer characteristics for slow moving flames and low medium pressure fronts (low to medium deflagration).

Inline flame arresters can be installed either vertically or horizontally within a designated distance from the potential ignition extras.

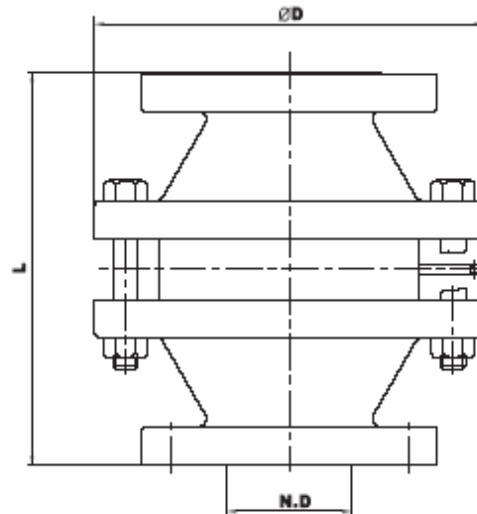
The standard flame cell is suitable for NEC group D or IEA IIA gases. Cells for other gas groups are available as additional extras.

The flame arresters are available with either aluminum, nodular iron, cast steel, 304SSss, 316SS and 316LSS housings, Iron and steel housings are supplied epoxy coated.

Sizes range from 15mm to 600mm and available upon request.

Standard flanges are ANSI 150lb and other connections are available upon request.

KSFI TYPE FLAME ARRESTER



Dimension Table														Unit = mm
Size	1/2"	1"	1 1/2"	2"	3"	4"	6"	8"	10"	12"	14"	16"	18"	Other Size
N.D	15	25	40	50	80	100	150	200	250	300	350	400	450	Available on request
L	215	223	231	231	251	259	321	339	363	451	653	720	720	
ØD	155	155	210	220	250	285	385	450	600	680	945	1200	1200	

Note: Standard flange is ANSI 150lb and other connection is available on request.

Materials of Construction				
	Standard Design		Special Design	
Body	C.I		C.S	S.S & AL
Element Ring	C.S or S.S		C.S or S.S	S.S
Element	Aluminium or Stainless Steel			
Standard Coating	In-Out side Epoxy 250 Micron except for S.S & AL Part.			

Note : C.I - Cast Iron, S.S - Stainless Steel, C.S - Carbon Steel, AL - Aluminium